



PARTS CATALOG

Published

2011/9 (Sep.)

0CNP5-G51900

Directions for the Parts Catalog.

1. The parts stipulated in this Parts Catalog are not necessarily standard equipped parts.
2. Parts may change without prior notice.
3. The following is an example of the Parts Catalog format.

OCF10-G21601		29. FUEL INJECTION PUMP(W/BOOST)									
REF.	LEV.	PARTS NO.	DESCRIPTION	(A)	(B)	(C)	(D)	(E)	(F)	I	R
1	1	729595-51390	FUEL INJECTION PUMP	1	1	1	1	1			1
1-1	1	729595-51391	FUEL INJECTION PUMP	1	1	1	1	1		N	1
		(A=E00185)	(B=E00200)								
3	2	26022-060162	SCREW M 6X 16	9	9	9	9	9			
3-1	2	26022-060162	SCREW M 6X 16	4	4	4	4	4		K	
		(A=E00156)	(B=E00156)	(C=E00156)	(D=E00156)	(E=E00156)					
4	2	129470-51040	CAMSHAFT	1	1	1	1	1			
5	2	122710-51050	BEARING, ROLLER	2	2	2	2	2			
6	2	129470-51060	RETAINER	1	1	1	1	1			

Remarks
(1) BOOST COMPEMSATOR TYPE. OPTIONAL PART, TO E00155,(4JH-DT, 4JH-DTZ

① Ref. No.

The Ref. No. listed may not be in accordance with the illustration Ref. No.

(Ex.) Illustration No.

List Ref No.

1

1

(Before change)

1-1

(After change)

For interchangeable symbols N, R and K, illustrations for new parts may be abbreviated.

② Lev. (Level)

Level indication

The numbers below indicate the level of relativity towards the main part.

1 ----- Main parts (Assembly parts)

2 ----- Sub component included in " 1 ".

3 ----- Sub component included in " 2 ".

Note) Parts that are not for sale are partially illustrated but not listed.

③ Interchangeability Mark

When a part change takes place, one of the following interchangeability symbols is indicated beside the part.

Symbol	Interchangeability	Contents note
N	Old $\begin{matrix} \leftarrow \text{Yes} \\ \text{No} \rightarrow \end{matrix}$ New	New Part is interchangeable for Old Part but Old Part is not interchangeable for New Part.
Q	Old $\begin{matrix} \leftarrow \text{No} \\ \text{Yes} \rightarrow \end{matrix}$ New	New Part is not interchangeable for Old Part but Old Part is interchangeable for New Part.
R	Old $\begin{matrix} \leftarrow \text{Yes} \\ \text{Yes} \rightarrow \end{matrix}$ New	New/ Old Parts are both interchangeable.
S	Old $\begin{matrix} \leftarrow \text{No} \\ \text{No} \rightarrow \end{matrix}$ New	New/ Old Parts are both not interchangeable.
W		Part newly added.
Z		Part discontinued.
F		Not interchangeable by a single part but interchangeable together with related parts.
K		Changes only for used parts quantities.

④ Effective Machine No.

When a part changes, the effective Machine No. will be indicated in the (A)-(F) column.

Product Symbol	Product No.	Product Symbol	Product No.
C	Clutch No. Compressor No.	F	Machine No. (Agricultural Equip.)
D	Drive No.	M	Machine No.
E	Engine No.		

Note 1) A date may follow the symbol. (Ex.) 1996.01

Note 2) "XXXXX" and "ZZZZZ" are for parts that could not be predicted or for engine models that could not be identified.

Note 3) (A=E00185) is the E (Engine Serial Number) for the column (A) model (in this case 4JH-DT) after the parts design change.

⑤ Remarks Mark

Figures or alphabets (symbols) are entered in the remarks column.

The comments (remarks) on parts that are indicated at the bottom of the illustration are the same symbols as those stated above.

CONTENTS

MODEL : GB180LN-395
PC NO : 0CNP5-G55100

Fig.No.	GROUP NAME
GB180LN-395	
1.	BOLT,SPRING,COVER
2.	LEAD WIRE, PLUG, CAP
3.	LABEL,FUEL HOSE
4.	TOOL SET
5.	GASKET SET
6.	CYLINDER BLOCK GROUP
7.	CYLINDER HEAD GROUP
8.	HEAD COVER GROUP
9.	CASE COVER GROUP
10.	CRANKSHAFT GROUP
11.	PISTON & ROD GROUP
12.	MAGNETO GROUP
13.	AIR CLEANER GROUP
14.	CARBURETOR GROUP
15.	CONTROL PANEL GROUP
16.	FAN COVER GROUP
17.	RECOIL STARTER GROUP
18.	MUFFLER GROUP

Fig.No. GROUP NAME

Fig.1. BOLT,SPRING,COVER

(A)=GB180LN-395

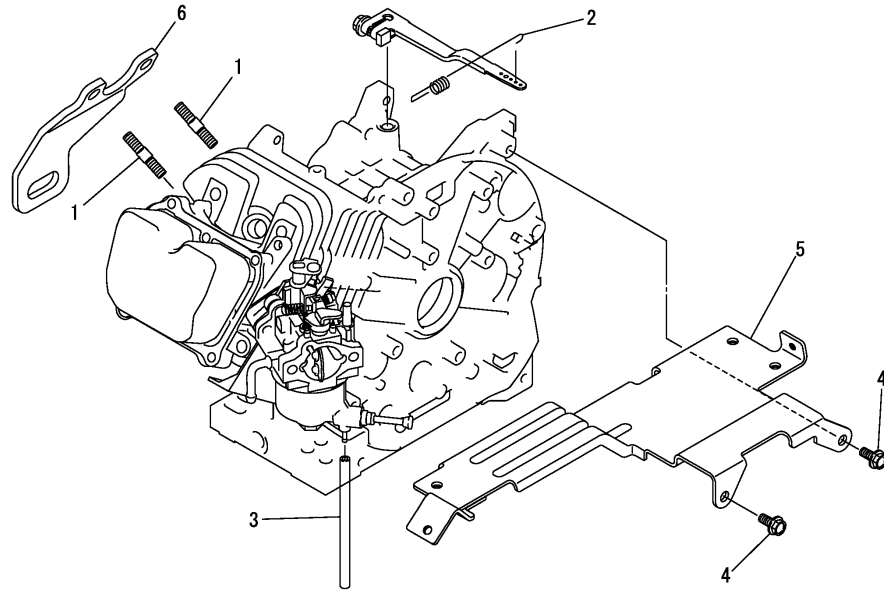
(B)=

(C)=

(D)=

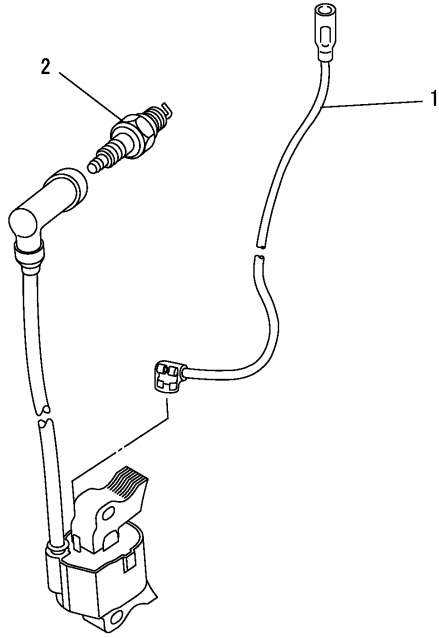
(E)=

(F)=



REF.	LEV.	PARTS NO.	DESCRIPTION	Q'TY						I	R
				(A)	(B)	(C)	(D)	(E)	(F)		
1	1	1A0021-00010	BOLT,STUD	2							
2	1	1A0021-00020	SPRING,GOV	1							
3	1	1A0021-00030	TUBE,FUEL	1							
4	1	1A0021-00040	BOLT,FLANGE	4							
5	1	1A0021-00050	BRACKET,TANK	1							
6	1	1A0021-00060	BRACKET	1							

Fig.2. LEAD WIRE, PLUG, CAP



0CNP5-G55100 2. LEAD WIRE, PLUG, CAP

(A)=GB180LN-395
(B)=
(C)=

(D)=
(E)=
(F)=

REF.	LEV.	PARTS NO.	DESCRIPTION	QTY						I	R
				(A)	(B)	(C)	(D)	(E)	(F)		
1	1	160999-78730	WIRE,LEAD	1							
2	1	1A0021-00070	PLUG,SPARK	1							

Fig.3. LABEL,FUEL HOSE

0CNP5-G55100 3. LABEL,FUEL HOSE

(A)=GB180LN-395
(B)=
(C)=

(D)=
(E)=
(F)=

REF.	LEV.	PARTS NO.	DESCRIPTION	Q'TY						I	R
				(A)	(B)	(C)	(D)	(E)	(F)		
1	1	1A0026-00010	LABEL	1							
2	1	160999-07530	LABEL	1							

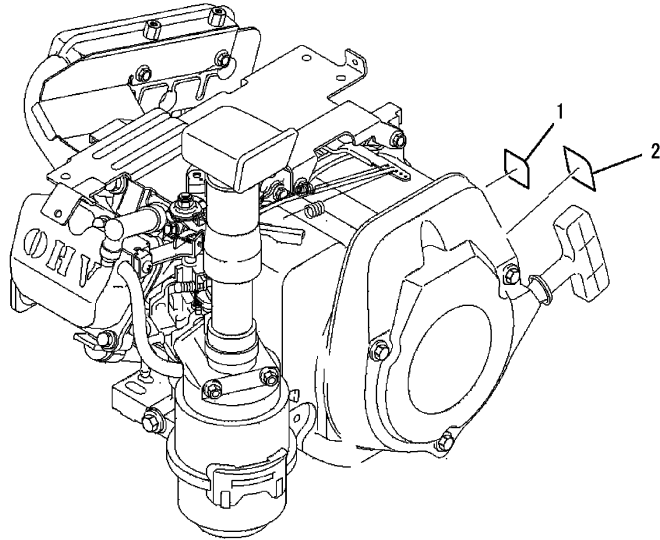
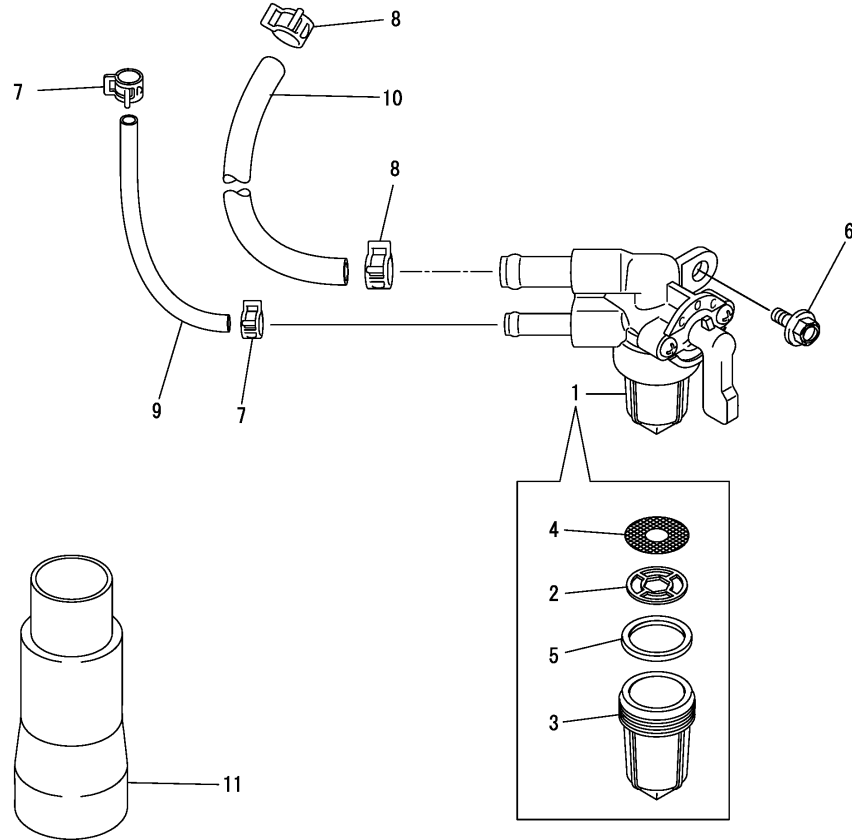


Fig.4. TOOL SET



0CNP5-G55100 4. TOOL SET

(A)=GB180LN-395
(B)=
(C)=

(D)=
(E)=
(F)=

REF.	LEV.	PARTS NO.	DESCRIPTION	Q'TY						I	R
				(A)	(B)	(C)	(D)	(E)	(F)		
1	1	1A0021-00090	COCK,FUEL	1							
2	2	1A0021-00100	PACKING	1							
3	2	1A0021-00110	CUP	1							
4	2	1A0021-00120	FILTER,FUEL	1							
5	2	1A0021-00130	PACKING	1							
6	1	1A0021-00140	BOLT,FLANGE	1							
7	1	1A0021-00150	CLIP	2							
8	1	1A0021-00160	CLIP	2							
9	1	1A0021-00170	HOSE,FUEL	1							
10	1	1A0021-00180	HOSE,FUEL	1							
11	1	1A0021-00190	PIPE	1							

Fig.5. GASKET SET

0CNP5-G55100 5. GASKET SET

(A)=GB180LN-395
(B)=
(C)=

(D)=
(E)=
(F)=

REF.	LEV.	PARTS NO.	DESCRIPTION	Q'TY						I	R
				(A)	(B)	(C)	(D)	(E)	(F)		
1	1	1A0021-00200	GASKET SET	1							
2	2	1A0021-00210	GASKET,HEAD	1							
3	2	1A0021-00220	GASKET,HEAD COVER	1							
4	2	1A0021-00230	GASKET,CARBURETOR	1							
5	2	1A0021-00240	GASKET,CARBURETOR	1							
6	2	1A0021-00250	GASKET,AIR CLEANER	1							
7	2	1A0021-00260	GASKET,MUFFLER	1							

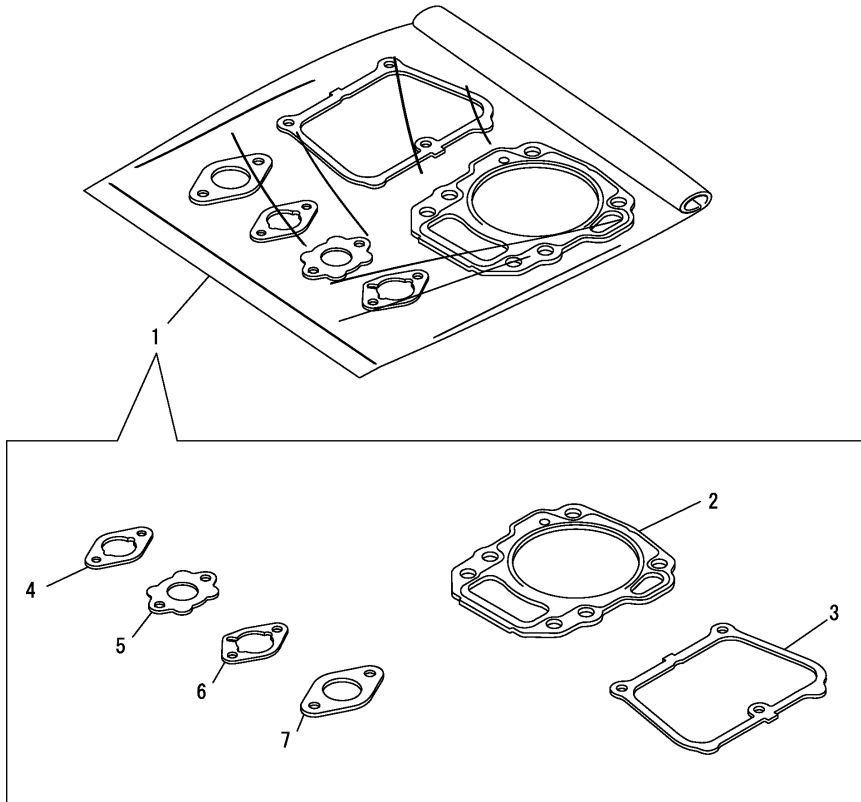


Fig.6. CYLINDER BLOCK GROUP

0CNP5-G55100 6. CYLINDER BLOCK GROUP

(A)=GB180LN-395
(B)=
(C)=

(D)=
(E)=
(F)=

REF.	LEV.	PARTS NO.	DESCRIPTION	QTY						I	R
				(A)	(B)	(C)	(D)	(E)	(F)		
1	1	160999-01720	PLUG,DRAIN	2							
2	1	1A0021-00280	CYLINDER BLOCK	1							
3	1	1A0021-00290	OIL SEAL	1							
4	1	1A0021-00300	BEARING,BALL	1							
5	1	160999-01730	GASKET	2							

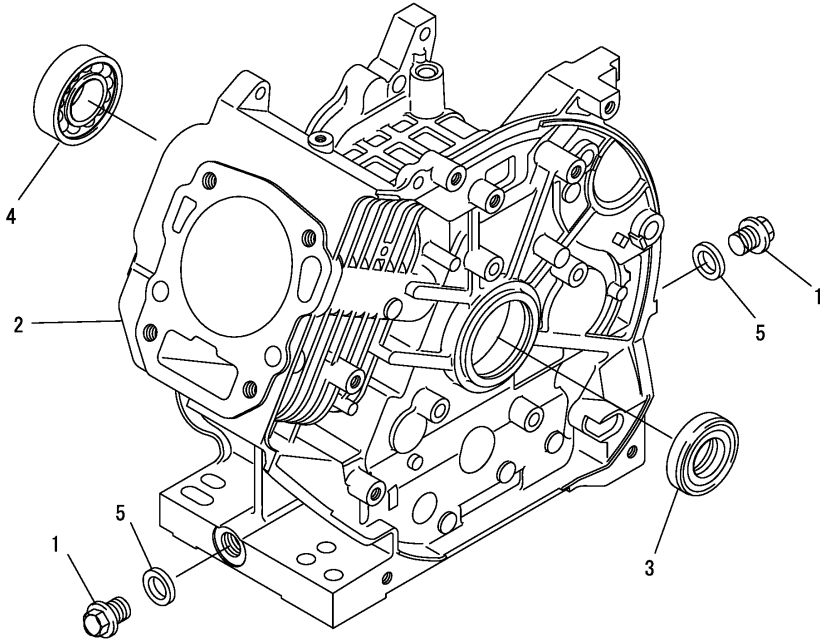


Fig.7. CYLINDER HEAD GROUP

(A)=GB180LN-395

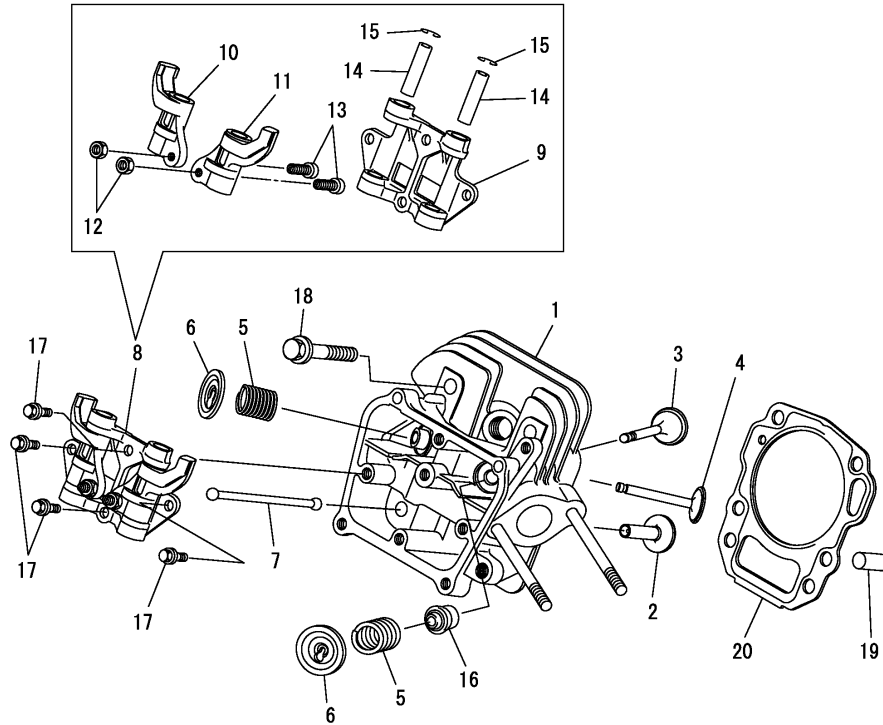
(B)=

(C)=

(D)=

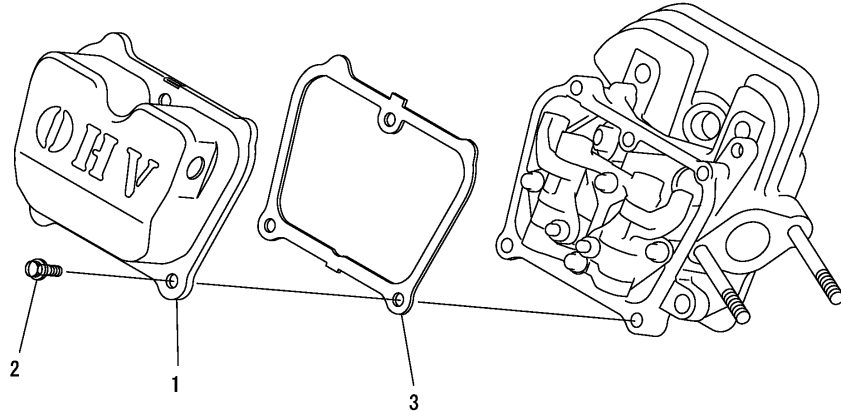
(E)=

(F)=



REF.	LEV.	PARTS NO.	DESCRIPTION	QTY						I	R
				(A)	(B)	(C)	(D)	(E)	(F)		
1	1	1A0021-00310	CYLINDER HEAD ASSY	1							
2	1	1A0021-00320	TAPPET	2							
3	1	1A0021-00330	VALVE,INTAKE	1							
4	1	1A0021-00340	VALVE,EXHAUST	1							
5	1	1A0021-00350	SPRING,VALVE	2							
6	1	1A0021-00360	RETAINER,VALVE SPG	2							
7	1	1A0021-00370	ROD,PUSH	2							
8	1	1A0021-00380	ARM,ROCKER	1							
9	2	1A0021-00390	PLATE,ROCKER	1							
10	2	1A0021-00400	ARM,ROCKER	1							
11	2	1A0021-00410	ARM,ROCKER	1							
12	2	1A0021-00420	NUT	2							
13	2	1A0021-00430	SCREW,ADJUST	2							
14	2	1A0021-00440	SHAFT	2							
15	2	1A0021-00450	CLIP,PISTON PIN	2							
16	1	1A0021-00460	SEAL,VALVE STEM	1							
17	1	1A0021-00470	BOLT,FLANGE	4							
18	1	1A0021-00480	BOLT,FLANGE	4							
19	1	160999-01440	PIN,DOWEL	2							
20	1	1A0021-00210	GASKET,HEAD	1							

Fig.8. HEAD COVER GROUP



0CNP5-G55100 8. HEAD COVER GROUP

(A)=GB180LN-395

(B)=

(C)=

(D)=

(E)=

(F)=

REF.	LEV.	PARTS NO.	DESCRIPTION	QTY						I	R
				(A)	(B)	(C)	(D)	(E)	(F)		
1	1	1A0021-00500	COVER,HEAD	1							
2	1	1A0021-00510	BOLT,FLANGE	3							
3	1	1A0021-00220	GASKET,HEAD COVER	1							

Fig.9. CASE COVER GROUP

0CNP5-G55100 9. CASE COVER GROUP

(A)=GB180LN-395

(B)=

(C)=

(D)=

(E)=

(F)=

REF.	LEV.	PARTS NO.	DESCRIPTION	QTY						I	R
				(A)	(B)	(C)	(D)	(E)	(F)		
1	1	1A0021-00530	BEARING,BALL	2							
2	1	1A0021-00540	COVER,CRANKCASE	1							
3	1	1A0021-00550	GOVERNOR GEAR ASSY	1							
4	2	1A0021-00560	SLIDER,GOV	1							
5	1	1A0021-00570	SHAFT,GOV	1							
6	1	1A0021-00580	GAUGE,OIL	2							
7	2	1A0021-00590	O-RING	2							
8	1	1A0021-00290	OIL SEAL	1							
9	1	1A0021-00600	BOLT,FLANGE	6							
10	1	160999-01440	PIN,DOWEL	2							
11	1	1A0021-00610	WASHER	1							
12	1	160999-01720	PLUG,DRAIN	1							
13	1	160999-01730	GASKET	1							

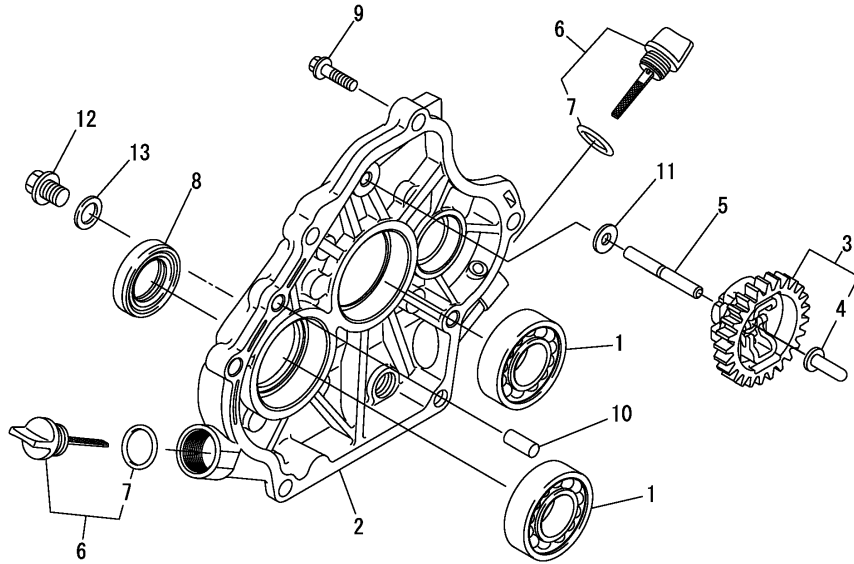
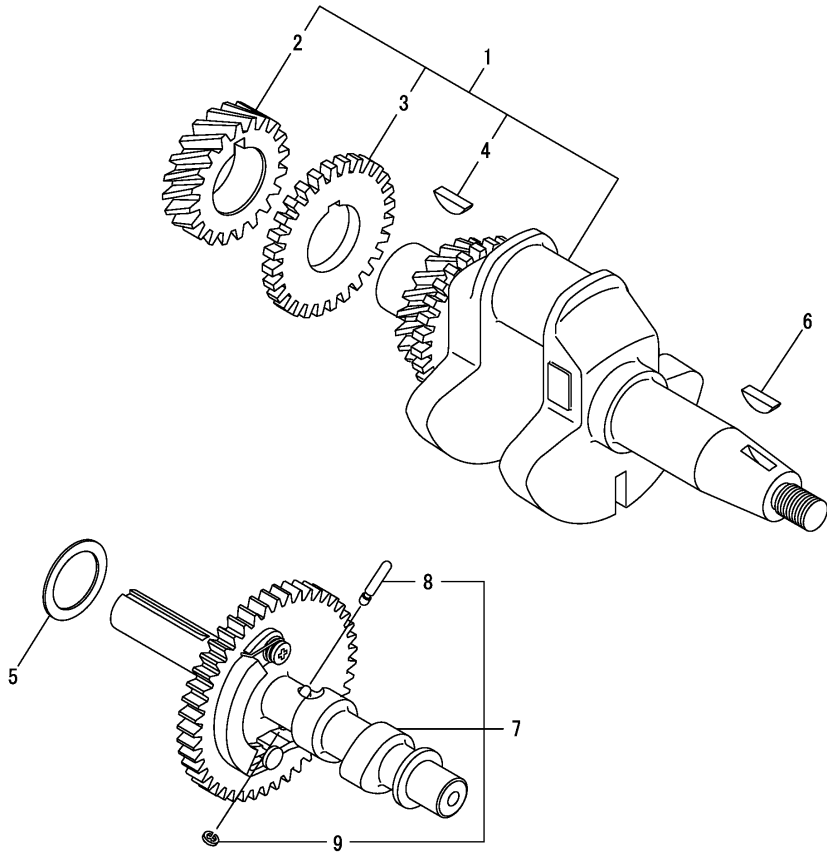


Fig.10. CRANKSHAFT GROUP

(A)=GB180LN-395
(B)=
(C)=

(D)=
(E)=
(F)=

REF.	LEV.	PARTS NO.	DESCRIPTION	Q'TY						I	R
				(A)	(B)	(C)	(D)	(E)	(F)		
1	1	1A0021-00630	CRANKSHAFT ASSY	1							
2	2	1A0021-00640	GEAR,CRANKSHAFT	1							
3	2	1A0021-00650	GEAR	1							
4	2	1A0021-00660	KEY,WOODRUFF	1							
5	1	1A0021-00670	SHIM	1							
6	1	1A0021-00660	KEY,WOODRUFF	1							
7	1	1A0021-00680	CAMSHAFT ASSY	1							
8	2	1A0021-00690	PIN	1							
9	2	160999-14510	SNAP RING	1							



N:Old $\begin{matrix} \leftarrow \text{Yes} \\ \text{No} \rightarrow \end{matrix}$ New, Q:Old $\begin{matrix} \leftarrow \text{No} \\ \text{Yes} \rightarrow \end{matrix}$ New, R:Old $\begin{matrix} \leftarrow \text{Yes} \\ \text{No} \rightarrow \end{matrix}$ New, S:Old $\begin{matrix} \leftarrow \text{No} \\ \text{Yes} \rightarrow \end{matrix}$ New, W:Add, Z:Discontinued, F:Interchangeable by set, K:Q'ty Change (C)Copy Rights YANMAR CO.,LTD.

Fig.11. PISTON & ROD GROUP

(A)=GB180LN-395

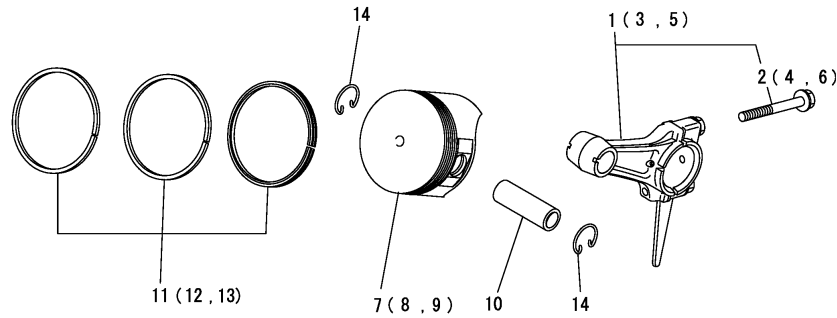
(B)=

(C)=

(D)=

(E)=

(F)=



REF.	LEV.	PARTS NO.	DESCRIPTION	Q'TY						I	R
				(A)	(B)	(C)	(D)	(E)	(F)		
1	1	1A0021-00710	CONNECTING ROD ASSY	1							
2	2	1A0021-00740	BOLT,FLANGE	2							
3	1	1A0021-00720	CONNECTING ROD ASSY	1							1
4	2	1A0021-00740	BOLT,FLANGE	2							
5	1	1A0021-00730	CONNECTING ROD ASSY	1							2
6	2	1A0021-00740	BOLT,FLANGE	2							
7	1	1A0021-00750	PISTON	1							
8	1	1A0021-00760	PISTON	1							3
9	1	1A0021-00770	PISTON	1							4
10	1	1A0021-00780	PIN,PISTON	1							
11	1	1A0026-00020	PISTON RING SET	1							
12	1	1A0026-00030	PISTON RING SET	1							3
13	1	1A0026-00040	PISTON RING SET	1							4
14	1	1A0021-00820	CLIP,PISTON PIN	2							

Remarks

- (1)Under sized(U.S.=0.25)parts.
- (2)Under sized(U.S.=0.50)parts.
- (3)Over sized(O.S.=0.25)parts.
- (4)Over sized(O.S.=0.50)parts.

Fig.12. MAGNETO GROUP

(A)=GB180LN-395

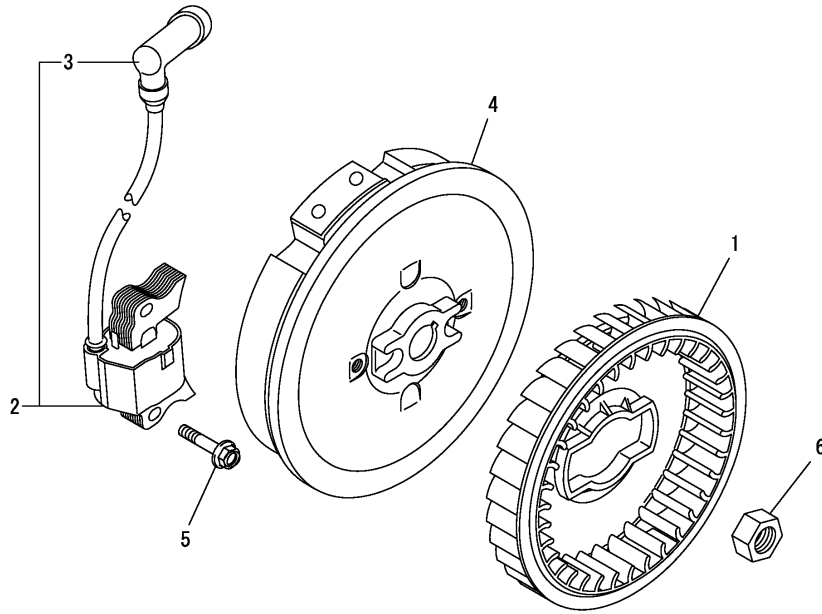
(B)=

(C)=

(D)=

(E)=

(F)=



REF.	LEV.	PARTS NO.	DESCRIPTION	QTY						I	R
				(A)	(B)	(C)	(D)	(E)	(F)		
1	1	1A0021-00840	FAN	1							
2	1	1A0021-00850	COIL,IGNITION	1							
3	2	160999-78530	CAP,PLUG	1							
4	1	1A0021-00860	FLYWHEEL	1							
5	1	1A0021-00870	BOLT,FLANGE	2							
6	1	1A0021-00880	NUT	1							

Fig.13. AIR CLEANER GROUP

(A)=GB180LN-395

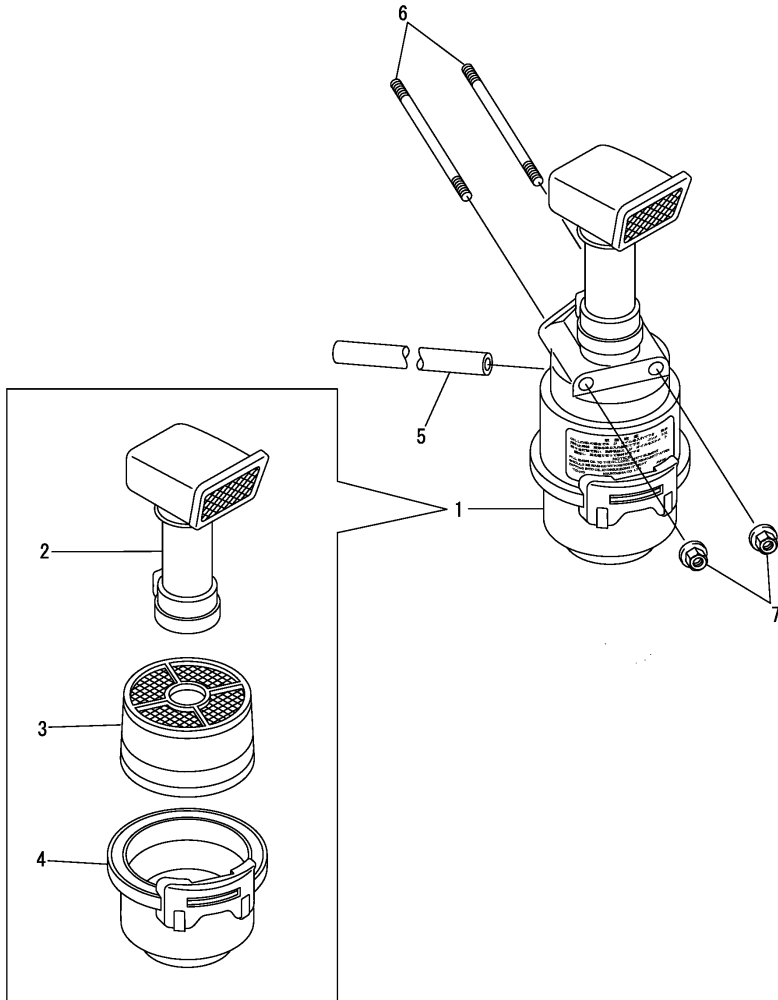
(B)=

(C)=

(D)=

(E)=

(F)=



REF.	LEV.	PARTS NO.	DESCRIPTION	QTY						I	R	
				(A)	(B)	(C)	(D)	(E)	(F)			
1	1	1A0021-00900	AIR CLEANER ASSY	1								
2	2	1A0021-00910	CAP	1								
3	2	1A0021-00920	ELEMENT,CLEANER	1								
4	2	1A0021-00930	OIL PAN ASSY	1								
5	1	1A0021-00940	TUBE,BREATHER	1								
6	1	160999-04330	BOLT,STUD	2								
7	1	1A0021-00950	NUT,FLANGE	2								

Fig.14. CARBURETOR GROUP

(A)=GB180LN-395

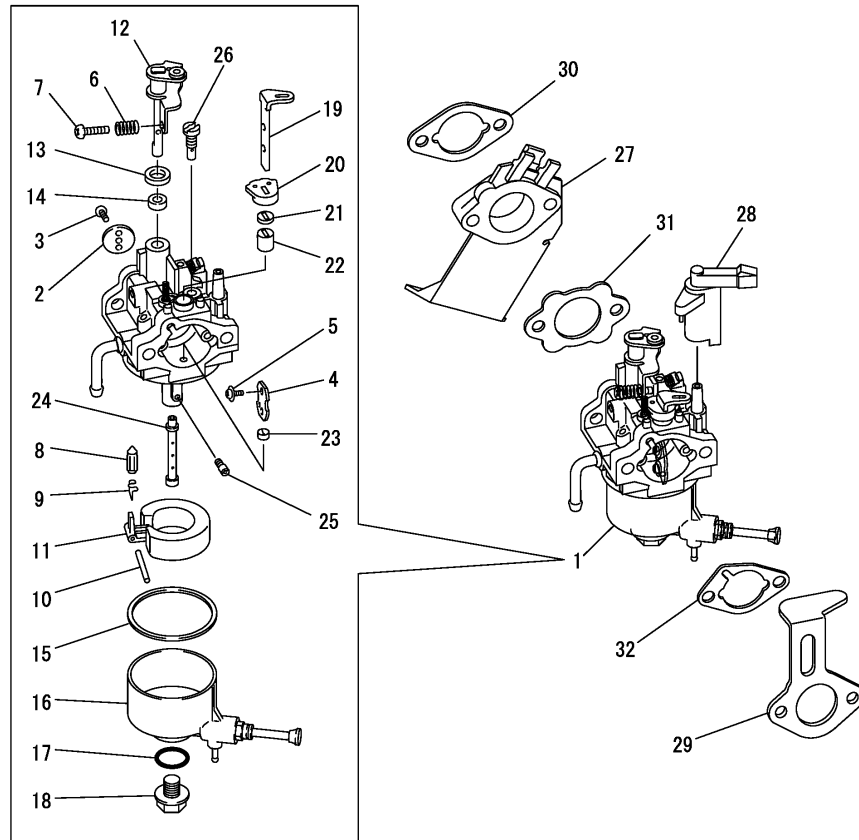
(B)=

(C)=

(D)=

(E)=

(F)=



REF.	LEV.	PARTS NO.	DESCRIPTION	QTY						I	R
				(A)	(B)	(C)	(D)	(E)	(F)		
1	1	1A0021-00970	CARBURETOR(F)	1							
2	2	1A0021-00980	VALVE,THROTTLE	1							
3	2	1A0021-00990	SCREW	2							
4	2	1A0021-01000	VALVE,CHOKE	1							
5	2	1A0021-01010	SCREW	2							
6	2	1A0021-01020	SPRING	1							
7	2	1A0021-01030	SCREW	1							
8	2	1A0021-01040	VALVE,NEEDLE	1							
9	2	1A0021-01050	CLIP	1							
10	2	1A0021-01060	PIN	1							
11	2	1A0021-01070	FLOAT	1							
12	2	1A0021-01080	SHAFT,THROTTLE	1							
13	2	1A0021-01090	PACKING	1							
14	2	1A0021-01100	SEAL	1							
15	2	1A0021-01110	GASKET	1							
16	2	1A0021-01120	CHAMBER,FLOAT	1							
17	2	1A0021-01130	O-RING	1							
18	2	1A0021-01140	BOLT	1							
19	2	1A0021-01150	LEVER,CHOKE	1							
20	2	1A0021-01160	RING	1							
21	2	1A0021-01170	SEAL	1							
22	2	1A0021-01180	RING	1							
23	2	1A0021-01190	RING	1							
24	2	1A0021-01200	NOZZLE,MAIN	1							
25	2	1A0021-01210	JET,MAIN	1							
26	2	1A0021-01220	JET,PILOT	1							
27	1	1A0021-01230	INSULATOR	1							
28	1	1A0021-01240	LEVER,CHOKE	1							
29	1	1A0021-01250	BRACKET,CHOKE	1							
30	1	1A0021-00230	GASKET,CARBURETOR	1							
31	1	1A0021-00240	GASKET,CARBURETOR	1							
32	1	1A0021-00250	GASKET,AIR CLEANER	1							

Fig.15. CONTROL PANEL GROUP

(A)=GB180LN-395

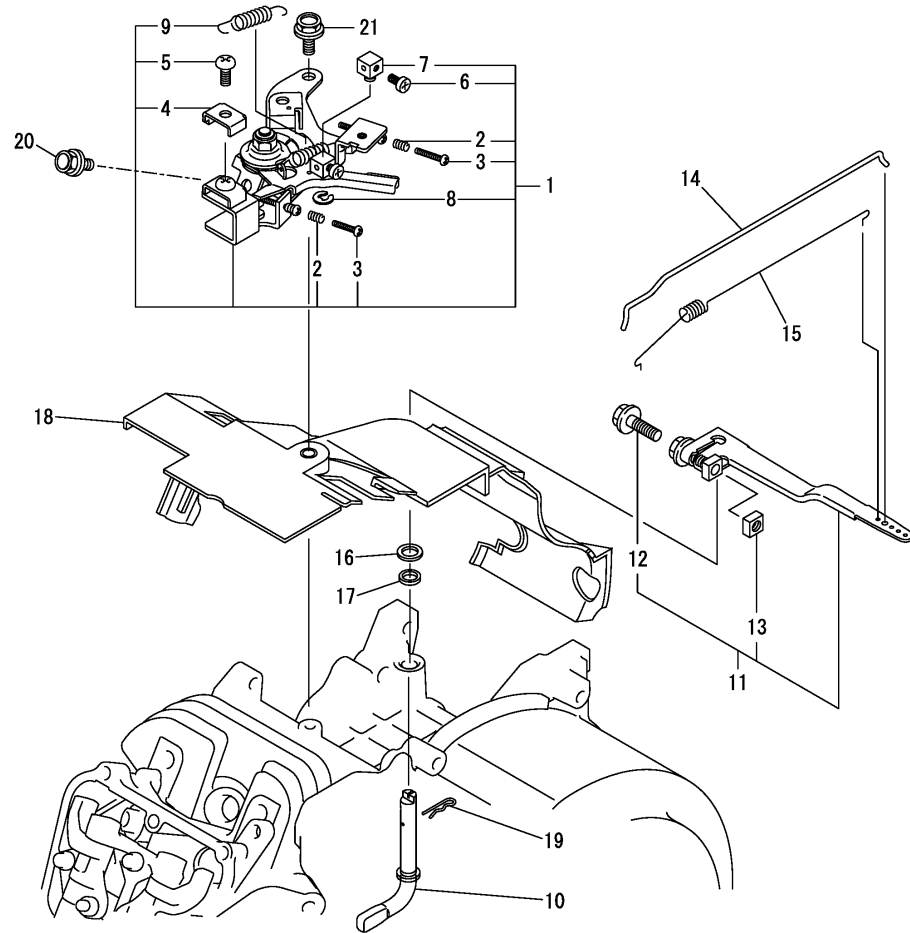
(B)=

(C)=

(D)=

(E)=

(F)=



REF.	LEV.	PARTS NO.	DESCRIPTION	QTY						I	R
				(A)	(B)	(C)	(D)	(E)	(F)		
1	1	1A0021-01270	PANEL,CONTROL	1							
2	2	1A0021-01280	SPRING	2							
3	2	1A0021-01290	SCREW	2							
4	2	1A0021-01300	CLAMP	1							
5	2	1A0021-01310	SCREW	1							
6	2	160999-66840	BOLT,CRS	1							
7	2	1A0021-01320	STOPPER	1							
8	2	160999-66820	SNAP RING	1							
9	2	1A0021-01330	SPRING,RETURN	1							
10	1	1A0021-01340	SHAFT,GOV	1							
11	1	1A0021-01350	LEVER,GOV	1							
12	2	1A0021-01360	BOLT,FLANGE	1							
13	2	1A0021-01370	NUT	1							
14	1	1A0021-01380	ROD,GOV	1							
15	1	1A0021-01390	SPRING,ROD	1							
16	1	160999-66290	WASHER	1							
17	1	160999-66270	SEAL,DUST	1							
18	1	1A0021-01400	COVER,TOP	1							
19	1	160999-66280	CLIP	1							
20	1	1A0021-00510	BOLT,FLANGE	1							
21	1	1A0021-00040	BOLT,FLANGE	1							

Fig.16. FAN COVER GROUP

0CNP5-G55100 16. FAN COVER GROUP

(A)=GB180LN-395

(B)=

(C)=

(D)=

(E)=

(F)=

REF.	LEV.	PARTS NO.	DESCRIPTION	Q'TY						I	R
				(A)	(B)	(C)	(D)	(E)	(F)		
1	1	1A0021-01420	COVER,FAN	1							
2	1	1A0021-01430	COVER,CYLINDER	1							
3	1	1A0021-01440	RUBBER CUSHION	1							
4	1	1A0021-01450	RUBBER CUSHION	3							
5	1	1A0021-00510	BOLT,FLANGE	5							

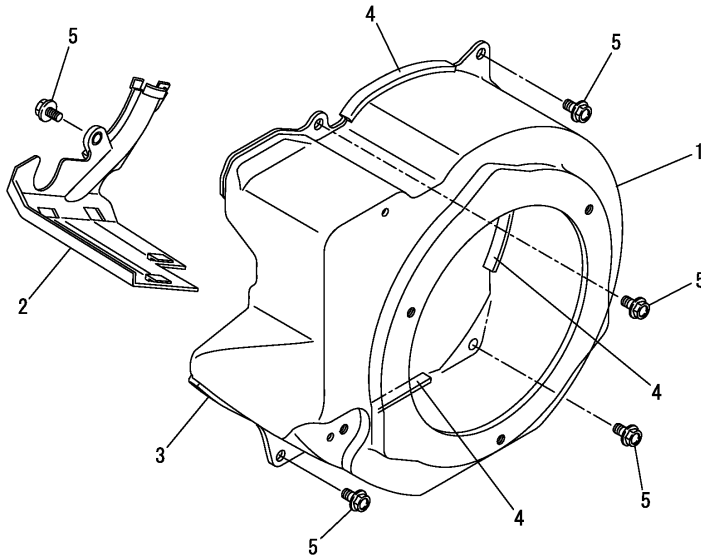


Fig.17. RECOIL STARTER GROUP

(A)=GB180LN-395

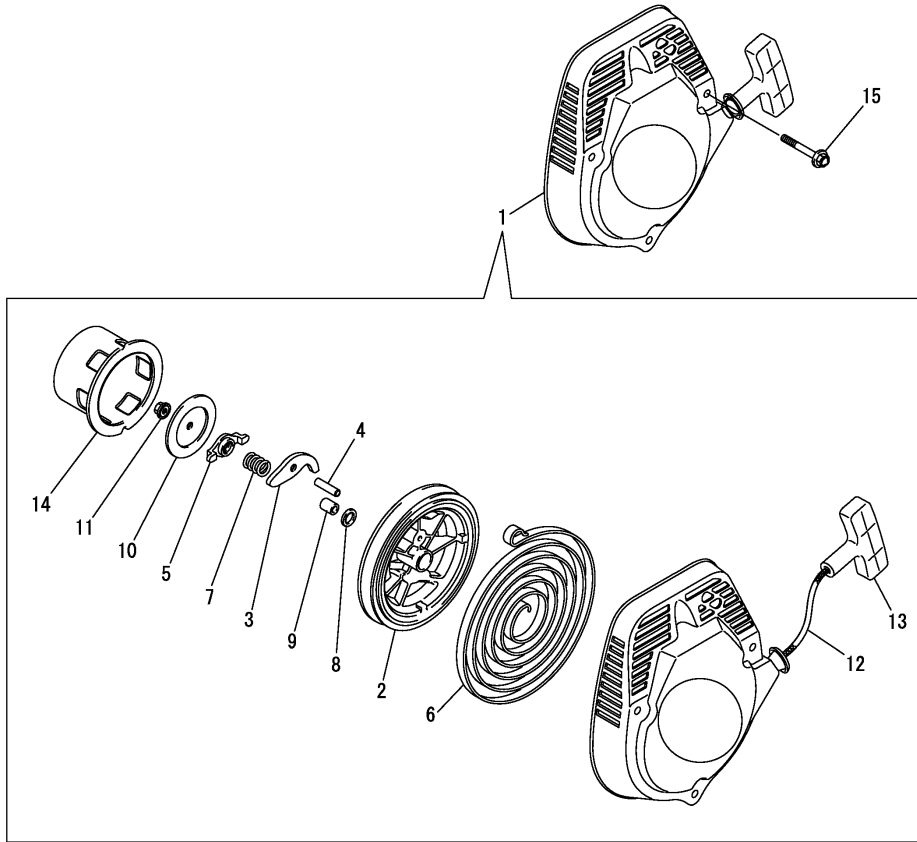
(B)=

(C)=

(D)=

(E)=

(F)=



REF.	LEV.	PARTS NO.	DESCRIPTION	QTY						I	R
				(A)	(B)	(C)	(D)	(E)	(F)		
1	1	1A0021-01470	RECOIL STARTER ASSY	1							
2	2	1A0021-01480	REEL	1							
3	2	1A0021-01490	RATCHET	1							
4	2	1A0021-01500	PIN	1							
5	2	1A0021-01510	GUIDE	1							
6	2	1A0021-01520	SPRING, SPIRAL	1							
7	2	1A0021-01530	SPRING, RETURN	1							
8	2	1A0021-01540	WASHER	1							
9	2	1A0021-01550	SHAFT	1							
10	2	1A0021-01560	PLATE, FRICTION	1							
11	2	1A0021-01570	NUT	1							
12	2	1A0021-01580	ROPE, STARTER	1							
13	2	1A0021-01590	KNOB, STARTER	1							
14	2	1A0021-01600	PULLEY, STARTER	1							
15	1	1A0021-01610	BOLT, FLANGE	3							

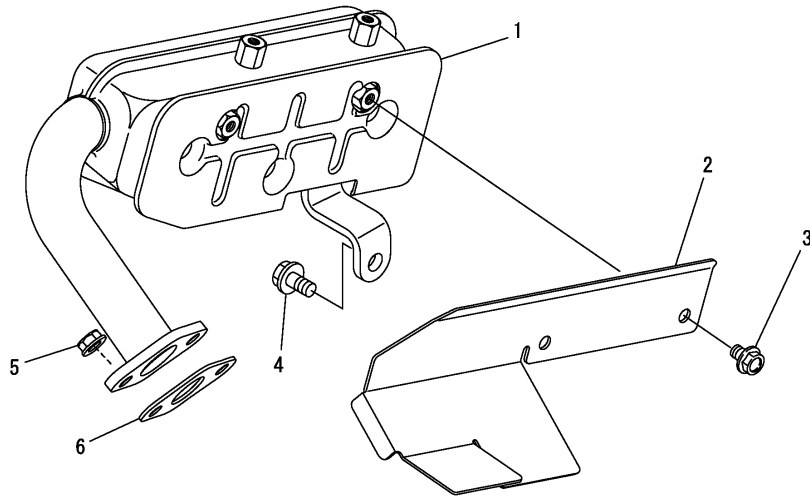
Fig.18. MUFFLER GROUP

0CNP5-G55100 18. MUFFLER GROUP

(A)=GB180LN-395
(B)=
(C)=

(D)=
(E)=
(F)=

REF.	LEV.	PARTS NO.	DESCRIPTION	Q'TY						I	R
				(A)	(B)	(C)	(D)	(E)	(F)		
1	1	1A0021-01630	MUFFLER	1							
2	1	1A0021-01640	PLATE	1							
3	1	1A0021-01650	BOLT,FLANGE	2							
4	1	1A0021-01660	BOLT,FLANGE	1							
5	1	1A0021-01670	NUT,CONICAL SPG	2							
6	1	1A0021-00260	GASKET,MUFFLER	1							



Part Number Index

All parts are stipulated in the order of part numbers.

(Depending on the area in which the part is used.)

This index will display the location of the part according to each part number.

PARTS No. INDEX

PARTS No.	Fig.	Ref.No.
160999-01440	7	19
	9	10
160999-01720	6	1
	9	12
160999-01730	6	5
	9	13
160999-04330	13	6
160999-07530	3	2
160999-14510	10	9
160999-66270	15	17
160999-66280	15	19
160999-66290	15	16
160999-66820	15	8
160999-66840	15	6
160999-78530	12	3
160999-78730	2	1
1A0021-00010	1	1
1A0021-00020	1	2
1A0021-00030	1	3
1A0021-00040	1	4
	15	21
1A0021-00050	1	5
1A0021-00060	1	6
1A0021-00070	2	2
1A0021-00090	4	1
1A0021-00100	4	2
1A0021-00110	4	3
1A0021-00120	4	4
1A0021-00130	4	5
1A0021-00140	4	6
1A0021-00150	4	7
1A0021-00160	4	8
1A0021-00170	4	9
1A0021-00180	4	10
1A0021-00190	4	11
1A0021-00200	5	1
1A0021-00210	5	2
	7	20
1A0021-00220	5	3
	8	3
1A0021-00230	5	4
	14	30
1A0021-00240	5	5
	14	31
1A0021-00250	5	6
	14	32
1A0021-00260	5	7
	18	6
1A0021-00280	6	2
1A0021-00290	6	3

PARTS No.	Fig.	Ref.No.
1A0021-00290	9	8
1A0021-00300	6	4
1A0021-00310	7	1
1A0021-00320	7	2
1A0021-00330	7	3
1A0021-00340	7	4
1A0021-00350	7	5
1A0021-00360	7	6
1A0021-00370	7	7
1A0021-00380	7	8
1A0021-00390	7	9
1A0021-00400	7	10
1A0021-00410	7	11
1A0021-00420	7	12
1A0021-00430	7	13
1A0021-00440	7	14
1A0021-00450	7	15
1A0021-00460	7	16
1A0021-00470	7	17
1A0021-00480	7	18
1A0021-00500	8	1
1A0021-00510	8	2
	15	20
	16	5
1A0021-00530	9	1
1A0021-00540	9	2
1A0021-00550	9	3
1A0021-00560	9	4
1A0021-00570	9	5
1A0021-00580	9	6
1A0021-00590	9	7
1A0021-00600	9	9
1A0021-00610	9	11
1A0021-00630	10	1
1A0021-00640	10	2
1A0021-00650	10	3
1A0021-00660	10	4
		6
1A0021-00670	10	5
1A0021-00680	10	7
1A0021-00690	10	8
1A0021-00710	11	1
1A0021-00720	11	3
1A0021-00730	11	5
1A0021-00740	11	2
		4
		6
1A0021-00750	11	7
1A0021-00760	11	8
1A0021-00770	11	9

PARTS No.	Fig.	Ref.No.
1A0021-00780	11	10
1A0021-00820	11	14
1A0021-00840	12	1
1A0021-00850	12	2
1A0021-00860	12	4
1A0021-00870	12	5
1A0021-00880	12	6
1A0021-00900	13	1
1A0021-00910	13	2
1A0021-00920	13	3
1A0021-00930	13	4
1A0021-00940	13	5
1A0021-00950	13	7
1A0021-00970	14	1
1A0021-00980	14	2
1A0021-00990	14	3
1A0021-01000	14	4
1A0021-01010	14	5
1A0021-01020	14	6
1A0021-01030	14	7
1A0021-01040	14	8
1A0021-01050	14	9
1A0021-01060	14	10
1A0021-01070	14	11
1A0021-01080	14	12
1A0021-01090	14	13
1A0021-01100	14	14
1A0021-01110	14	15
1A0021-01120	14	16
1A0021-01130	14	17
1A0021-01140	14	18
1A0021-01150	14	19
1A0021-01160	14	20
1A0021-01170	14	21
1A0021-01180	14	22
1A0021-01190	14	23
1A0021-01200	14	24
1A0021-01210	14	25
1A0021-01220	14	26
1A0021-01230	14	27
1A0021-01240	14	28
1A0021-01250	14	29
1A0021-01270	15	1
1A0021-01280	15	2
1A0021-01290	15	3
1A0021-01300	15	4
1A0021-01310	15	5
1A0021-01320	15	7
1A0021-01330	15	9
1A0021-01340	15	10

PARTS No.	Fig.	Ref.No.
1A0021-01350	15	11
1A0021-01360	15	12
1A0021-01370	15	13
1A0021-01380	15	14
1A0021-01390	15	15
1A0021-01400	15	18
1A0021-01420	16	1
1A0021-01430	16	2
1A0021-01440	16	3
1A0021-01450	16	4
1A0021-01470	17	1
1A0021-01480	17	2
1A0021-01490	17	3
1A0021-01500	17	4
1A0021-01510	17	5
1A0021-01520	17	6
1A0021-01530	17	7
1A0021-01540	17	8
1A0021-01550	17	9
1A0021-01560	17	10
1A0021-01570	17	11
1A0021-01580	17	12
1A0021-01590	17	13
1A0021-01600	17	14
1A0021-01610	17	15
1A0021-01630	18	1
1A0021-01640	18	2
1A0021-01650	18	3
1A0021-01660	18	4
1A0021-01670	18	5
1A0026-00010	3	1
1A0026-00020	11	11
1A0026-00030	11	12
1A0026-00040	11	13



YANMAR CO., LTD.

PAINT COLOR (R K 6 5 0, K P Q)

FIG	PAINT COLOR	COLOR SPRAY	MAIN PART	COLOR NUMBER
TILLING PART	YANMAR RED 2	TOR-94800100	COVER, ROTARY	10
ENGINE FRAME PART	YANMAR MAT BLACK	TOR-94800130	ENGINE FRAME, HANDEL	13

Please surely use YANMAR Genuine color spray any
YANMAR agricultural machines

Given painting color may be altered for improvement, etc.
without prior notice.

CONTENTS

MODEL : RK650,KPQ
PC NO : 0CNP5-G51900

Fig.No. GROUP NAME
PULLEY&TENSION SECTION

1. ENGINE MOUNT
2. ENGINE PULLEY
3. MAIN PULLEY
4. TENSION CLUTCH

TRANSMISSION UNIT

5. TRANSMISSION CASE
6. MAIN SHAFT
7. SUB SHAFT
8. DECELERATION SHAFT
9. FINAL SHAFT
10. TILLAGE 1 SHAFT
11. AXLE SHAFT
12. MAIN CHANGE

WHEEL SECTION

13. RUBBER LUG TIRE

TILLING SECTION

14. TILLAGE SHAFT
15. BLADE SHAFT
16. BLADE
17. SHARE,PLOW
18. ROTARY FRAME
19. COVER, ROTARY
20. AUXILIARY COVER

HANDLE SECTION

21. HANDLE STAND(TURN)

Fig.No. GROUP NAME

22. HANDLE
23. HANDLE ACCESSORIES
24. CONTROL LEVER(TRAVELING)
25. CONTROL LEVER(TILLING)
26. CONTROL LEVER(HANDLE)

ENGINE FRAME SECTION

27. ENGINE FRAME
28. BELT COVER
29. FUEL TANK
30. COVER, CYL.HEAD

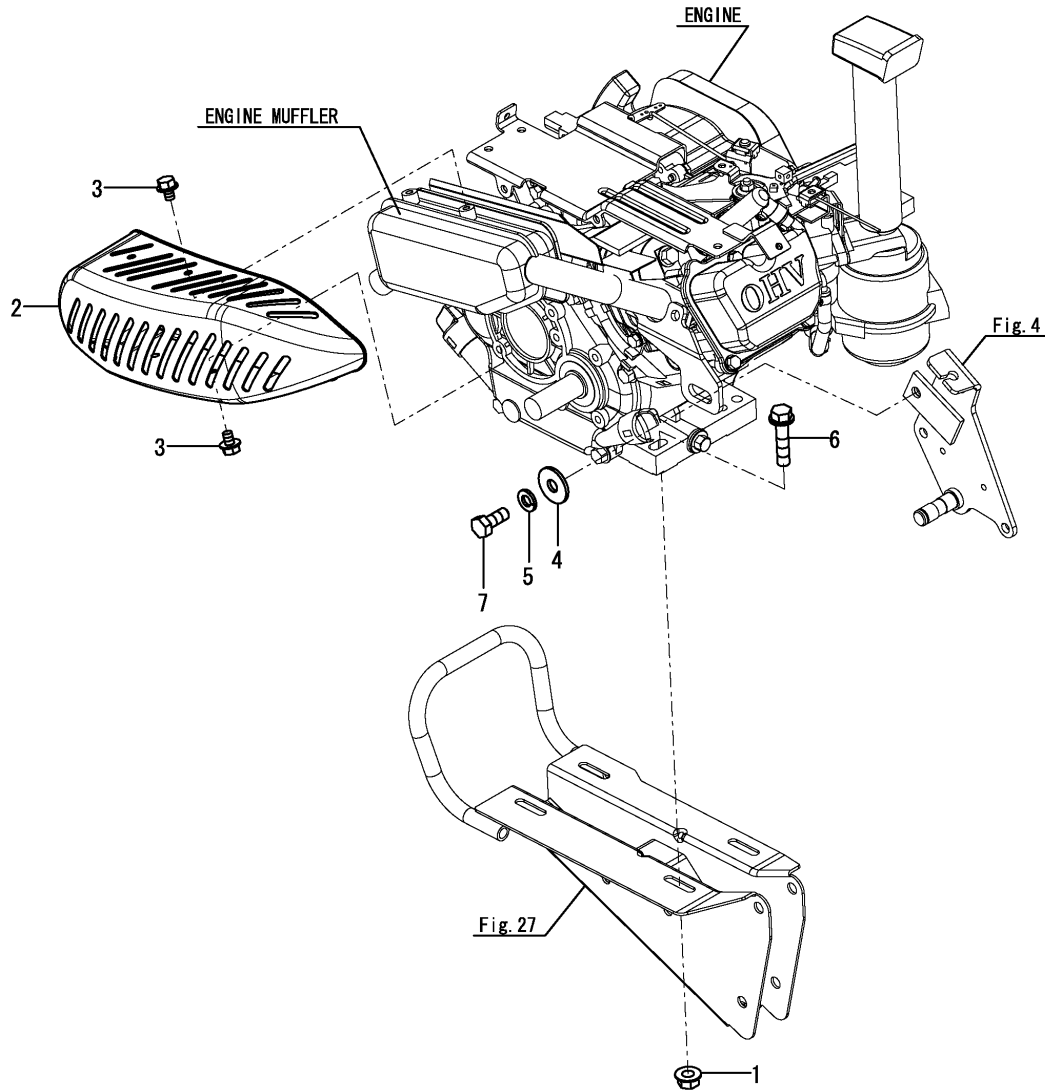
TAIL WHEEL SECTION

31. TAIL WHEEL

ELECTRIC PART & LABEL

32. ELECTRONIC
33. LABEL
34. SAFETY LABEL
35. ACCESSORY

Fig.1. ENGINE MOUNT



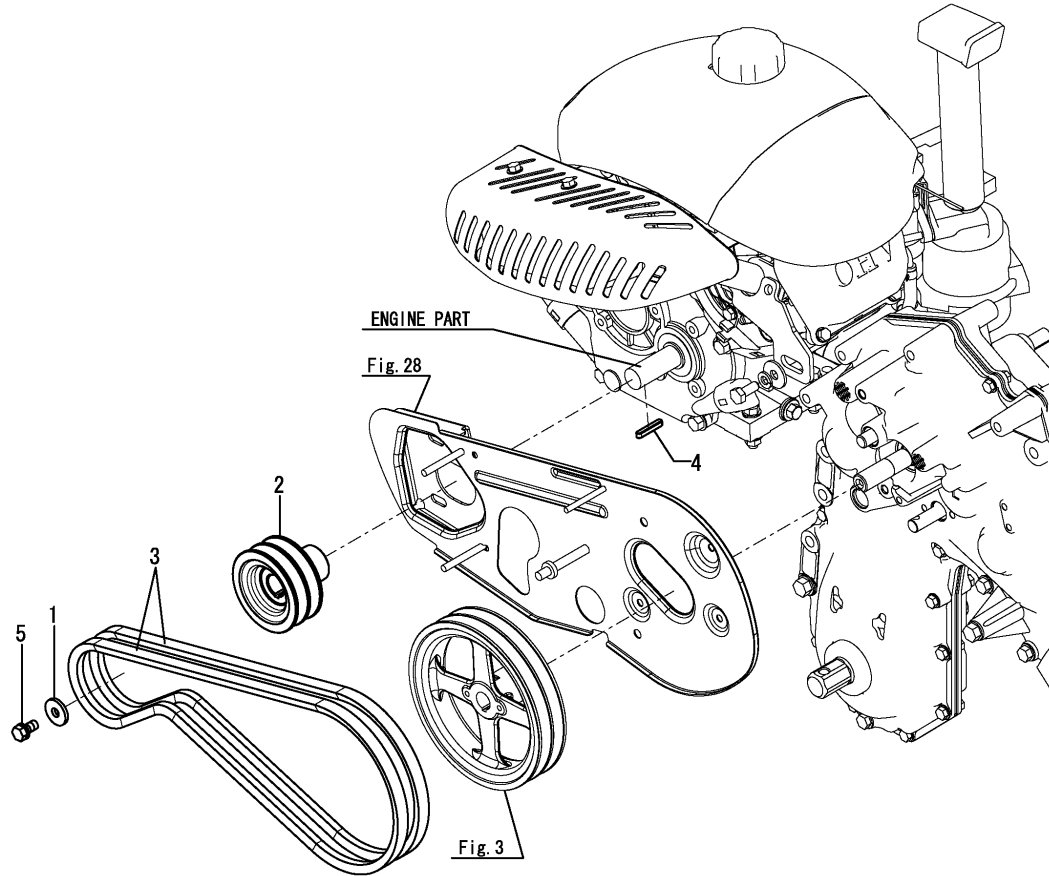
0CNP5-G51900 1. ENGINE MOUNT

(A)=RK650,KPQ
(B)=
(C)=

(D)=
(E)=
(F)=

REF.	LEV.	PARTS NO.	DESCRIPTION	QTY						I	R
				(A)	(B)	(C)	(D)	(E)	(F)		
1	1	1A2740-11150	NUT,8	4							
2	1	1A2770-11300	COVER CMP, MUFFLER	1							
3	1	114252-13950	BOLT	4							
4	1	22157-080000	WASHER 8	1							
5	1	22217-080000	WASHER, 8	1							
6	1	26106-080352	BOLT M 8X 35 PLATED	4							
7	1	26116-080202	BOLT M 8X 20 PLATED	1							

Fig.2. ENGINE PULLEY



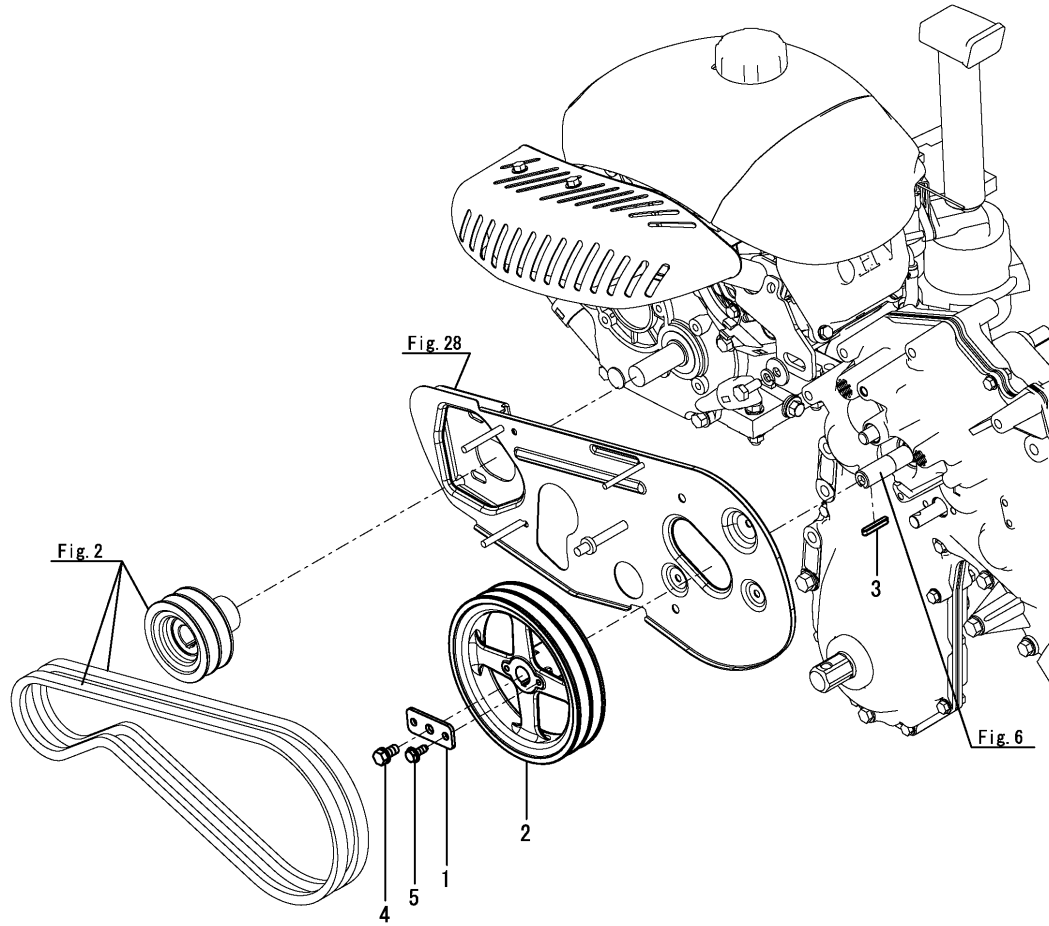
0CNP5-G51900 2. ENGINE PULLEY

(A)=RK650,KPQ
(B)=
(C)=

(D)=
(E)=
(F)=

REF.	LEV.	PARTS NO.	DESCRIPTION	QTY						I	R
				(A)	(B)	(C)	(D)	(E)	(F)		
1	1	1D1140-11420	WASHER,PULLEY	1							
2	1	1A2810-12000	V PULLEY, 79	1							
3	1	1A2810-12500	V-BELT, REDS2 SA38	2							
4	1	22512-050300	KEY, 5X30	1							
5	1	26013-080162	BOLT W/WASHER M8X16	1							

Fig.3. MAIN PULLEY



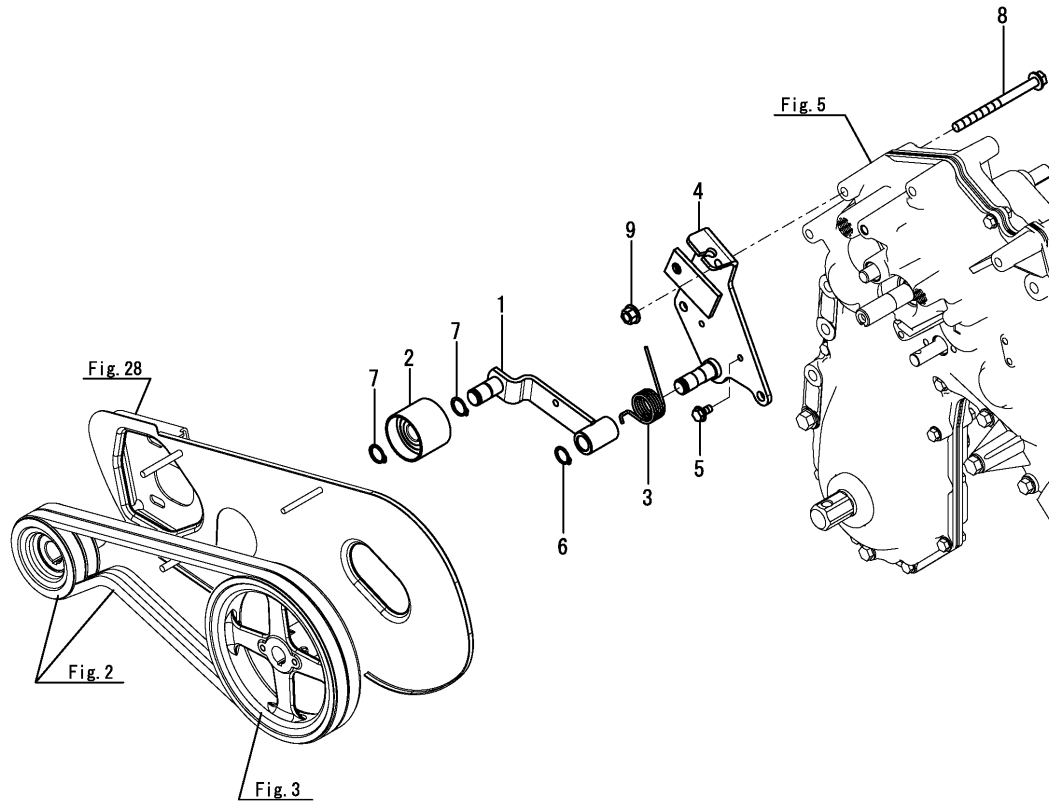
0CNP5-G51900 3. MAIN PULLEY

(A)=RK650,KPQ
(B)=
(C)=

(D)=
(E)=
(F)=

REF.	LEV.	PARTS NO.	DESCRIPTION	QTY						I	R
				(A)	(B)	(C)	(D)	(E)	(F)		
1	1	1A1470-10040	CLAMP SEAT,PULLEY	1							
2	1	1A2010-13381	PULLEY 162,MAIN SHFT	1							
3	1	22512-050300	KEY, 5X30	1							
4	1	26013-080162	BOLT W/WASHER M8X16	1							
5	1	26476-060142	BOLT, M6X14	2							

Fig.4. TENSION CLUTCH



0CNP5-G51900 4. TENSION CLUTCH

(A)=RK650,KPQ

(B)=

(C)=

(D)=

(E)=

(F)=

REF.	LEV.	PARTS NO.	DESCRIPTION	Q'TY						I	R	
				(A)	(B)	(C)	(D)	(E)	(F)			
1	1	1A2810-13000	ARM CMP, TENSION	1								
2	1	1A2660-13100	ROLLAR, TENSION CMP	1								
3	1	1A2120-13120	SPRING, TENSION RETRN	1								
4	1	1A2810-13600	SEAT CMP, TENSION	1								
5	1	1A1750-90200	SCREW 6X12, COLLAR HD	1								
6	1	22242-000140	CIRCLIP 14	1								
7	1	22242-000150	CIRCLIP 15	2								
8	1	26106-081002	BOLT M 8X100 PLATED	2								
9	1	26367-080002	NUT, 8	2								

Fig.5. TRANSMISSION CASE

(A)=RK650,KPQ

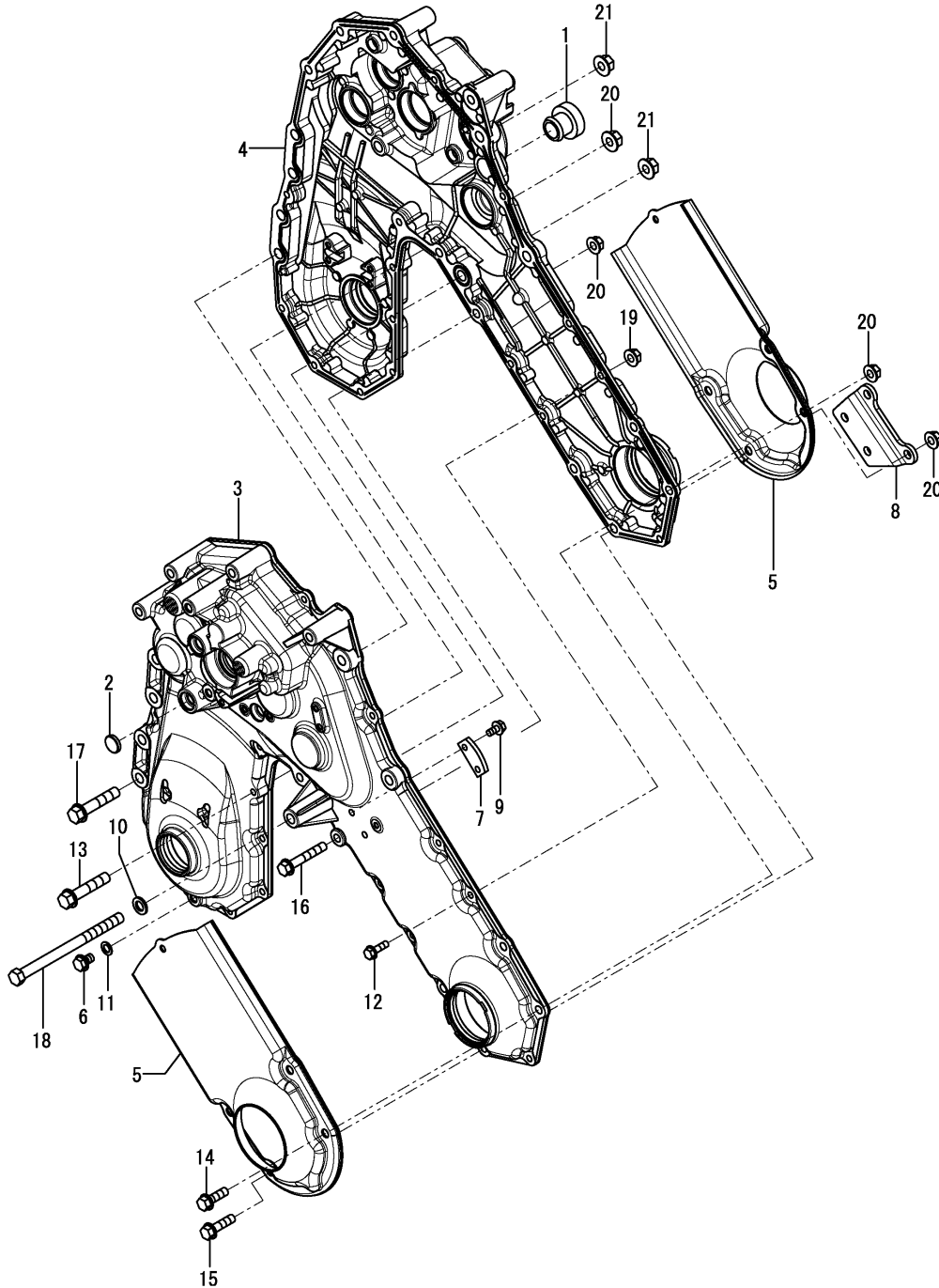
(B)=

(C)=

(D)=

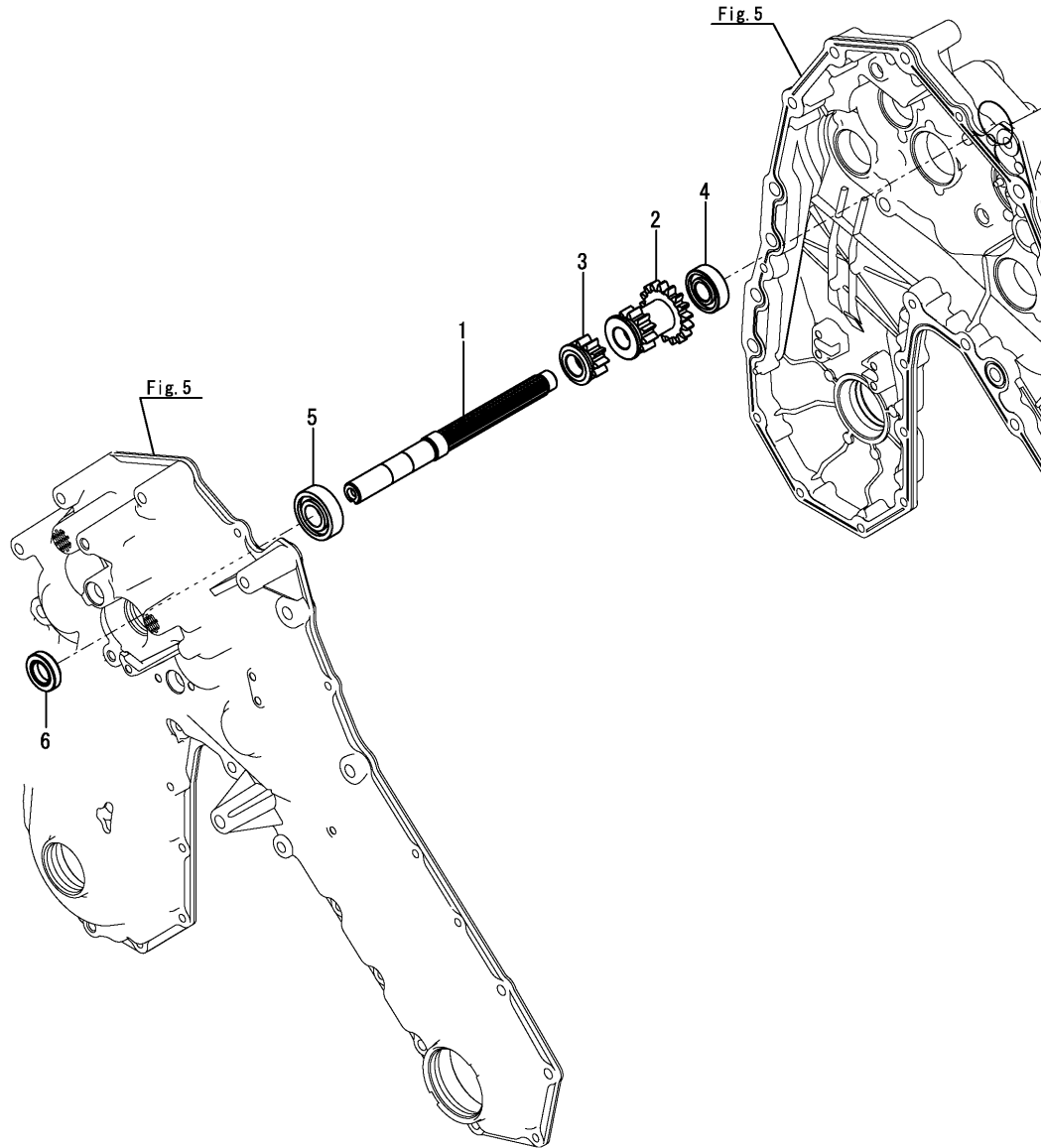
(E)=

(F)=



REF.	LEV.	PARTS NO.	DESCRIPTION	QTY						I	R
				(A)	(B)	(C)	(D)	(E)	(F)		
1	1	1A1470-20090	CAP 35,OIL FILLER	1							
2	1	1A1750-20431	CAP 18X7,SEAL	1							
3	1	1A2660-21000	CASE, TRANSMISSION L	1							
4	1	1A2660-21010	CASE, TRANSMISSION R	1							
5	1	1A2810-21100	COVER, PROTECTION	2							
6	1	1A2001-21250	BOLT M8X12,COLLAR HD	1							
7	1	1A2660-21300	RETAINER	1							
8	1	1A2660-43160	PLATE	1							
9	1	1A1750-90200	SCREW 6X12,COLLAR HD	2							
10	1	22117-100000	WASHER 10	1							
11	1	23414-080000	GASKET 8, ROUND	1							
12	1	26106-060202	BOLT M 6X 20 PLATED	13							
13	1	26106-060452	BOLT M 6X 45 PLATED	2							
14	1	26106-080252	BOLT M 8X 25 PLATED	2							
15	1	26106-080302	BOLT M 8X 30 PLATED	2							
16	1	26106-080502	BOLT M 8X 50 PLATED	2							
17	1	26136-100502	BOLT M 10X 50	1							
18	1	26156-101402	BOLT M10X140 PLATED	1							
19	1	26367-060002	NUT M 6	15							
20	1	26367-080002	NUT, 8	6							
21	1	26377-100002	U-NUT M10	2							

Fig.6. MAIN SHAFT



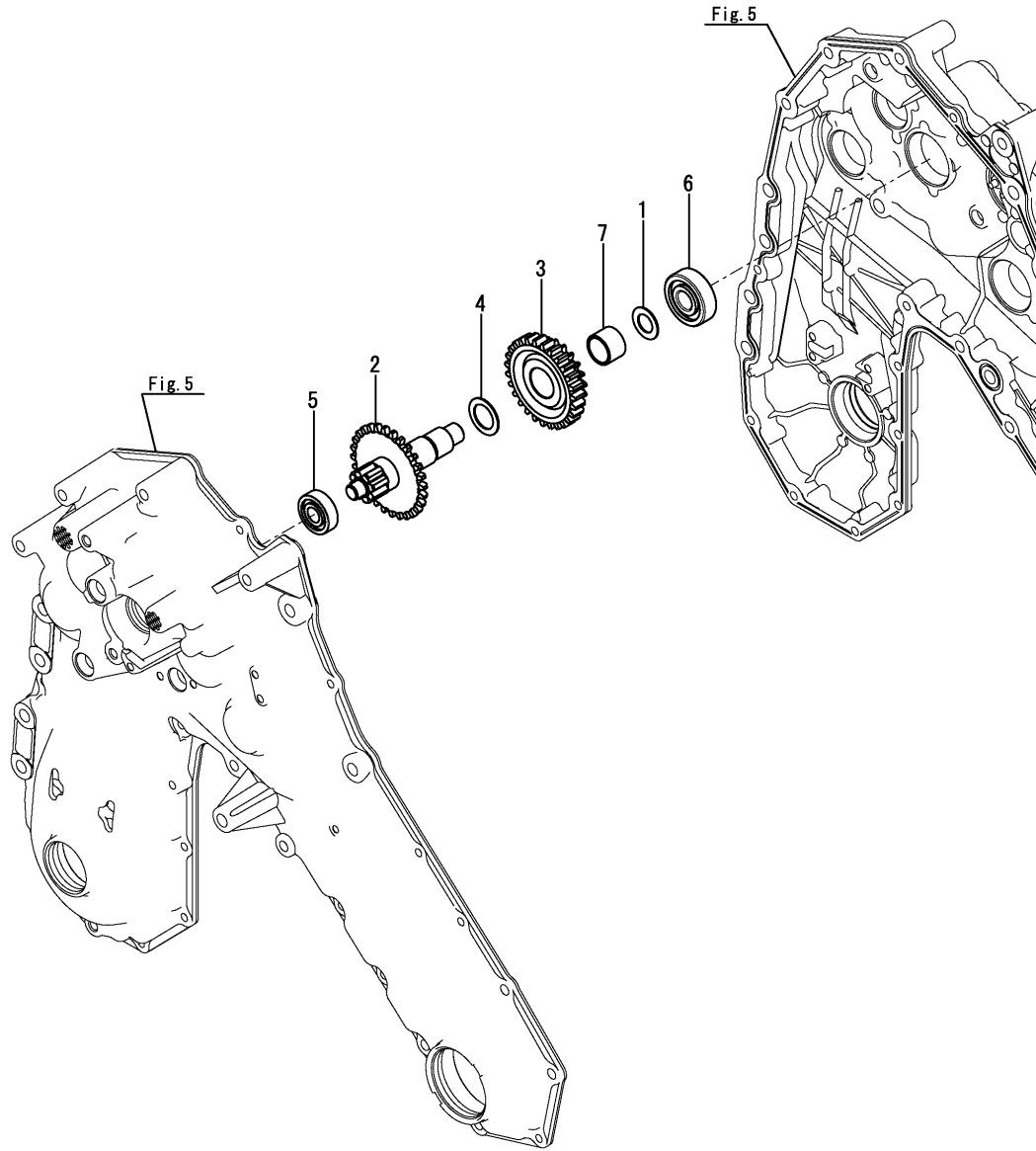
0CNP5-G51900 6. MAIN SHAFT

(A)=RK650,KPQ
(B)=
(C)=

(D)=
(E)=
(F)=

REF.	LEV.	PARTS NO.	DESCRIPTION	QTY						I	R
				(A)	(B)	(C)	(D)	(E)	(F)		
1	1	1A2810-23000	MAIN SHAFT	1							
2	1	1A2810-23010	GEAR 11X17	1							
3	1	1A2480-23021	GEAR, 10 TILLAGE	1							
4	1	194405-83920	BALL BEARING	1							
5	1	24101-062034	BALL BEARING	1							
6	1	24421-173008	SEAL TC17 30 08, OIL	1							

Fig.7. SUB SHAFT



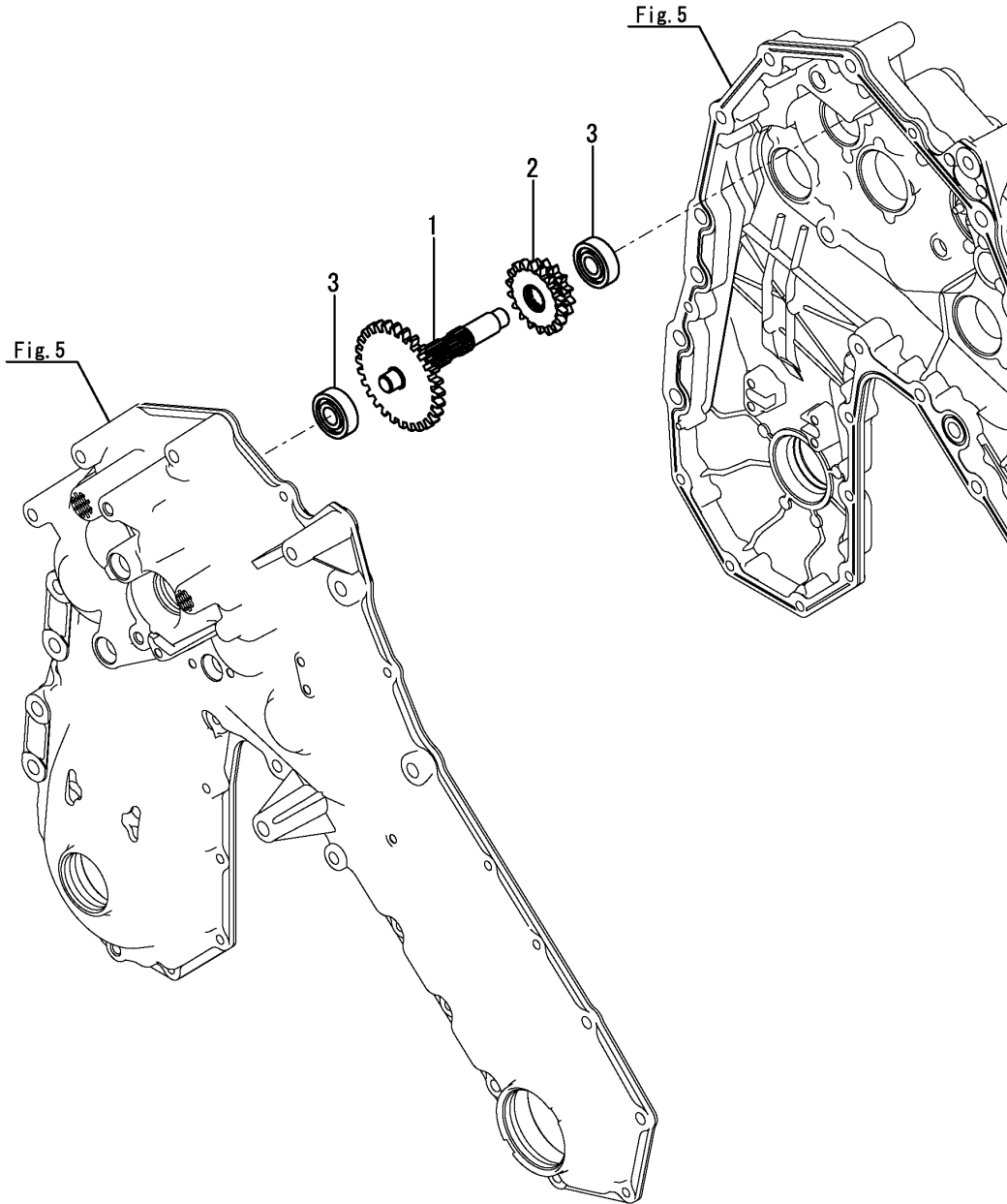
0CNP5-G51900 7. SUB SHAFT

(A)=RK650,KPQ
(B)=
(C)=

(D)=
(E)=
(F)=

REF.	LEV.	PARTS NO.	DESCRIPTION	QTY						I	R
				(A)	(B)	(C)	(D)	(E)	(F)		
1	1	1C7080-16180	LINER, 15X26X1	1							
2	1	1A2660-23100	SUB SHAFT CMP	1							
3	1	1A2810-23120	GEAR 21X27CMP	1							
4	1	1A1105-23200	LINER 30X20.2X1	1							
5	1	24101-062014	BALL BEARING	1							
6	1	24101-063024	BALL BEARING	1							
7	1	24161-202417	BEARING	1							

Fig.8. DECELERATION SHAFT



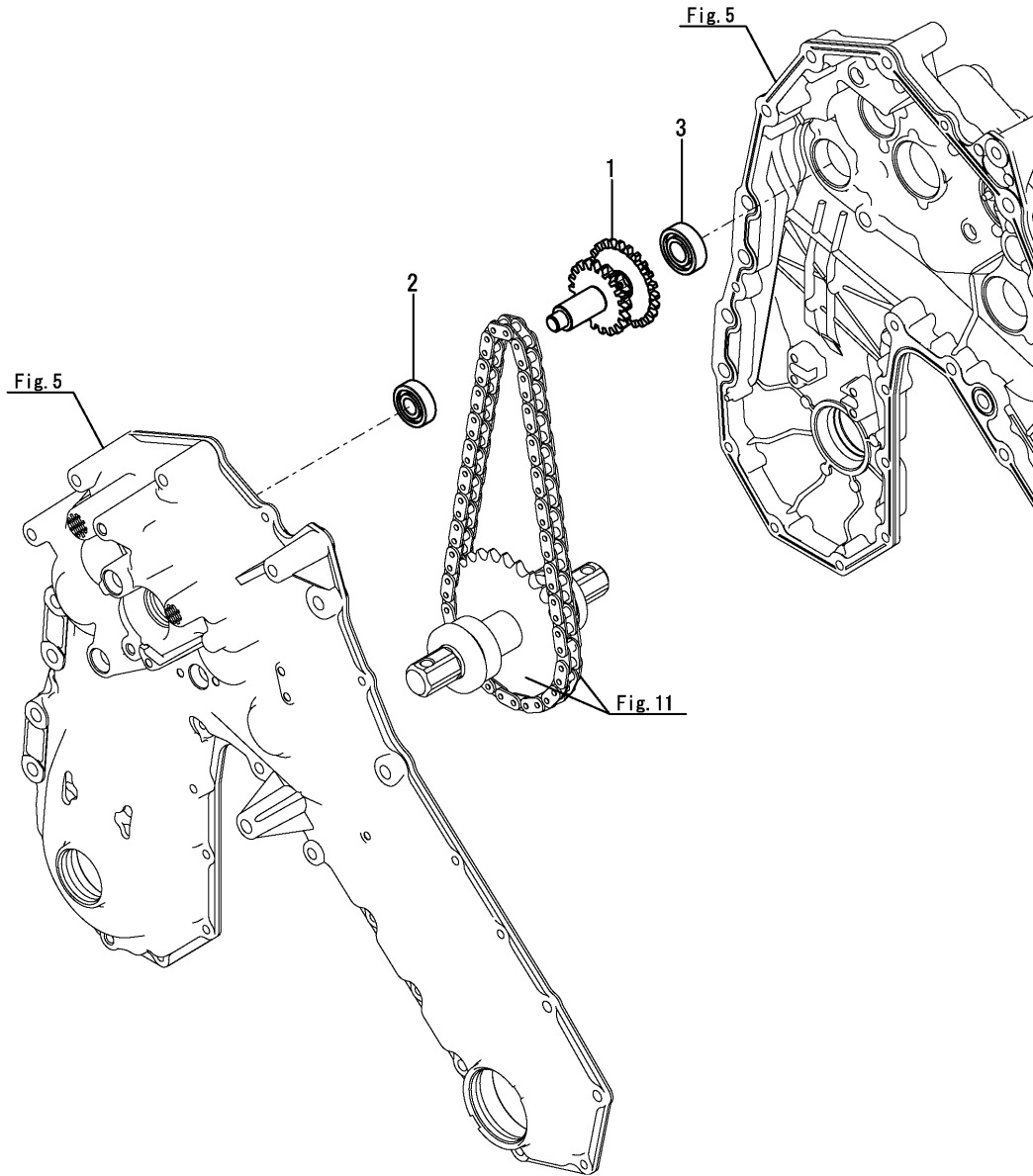
0CNP5-G51900 8. DECELERATION SHAFT

(A)=RK650,KPQ
(B)=
(C)=

(D)=
(E)=
(F)=

REF.	LEV.	PARTS NO.	DESCRIPTION	QTY						I	R
				(A)	(B)	(C)	(D)	(E)	(F)		
1	1	1A2660-23200	SHAFT REDUCTION CMP	1							
2	1	1A2660-23230	GEAR 14X18	1							
3	1	24101-062014	BALL BEARING	2							

Fig.9. FINAL SHAFT



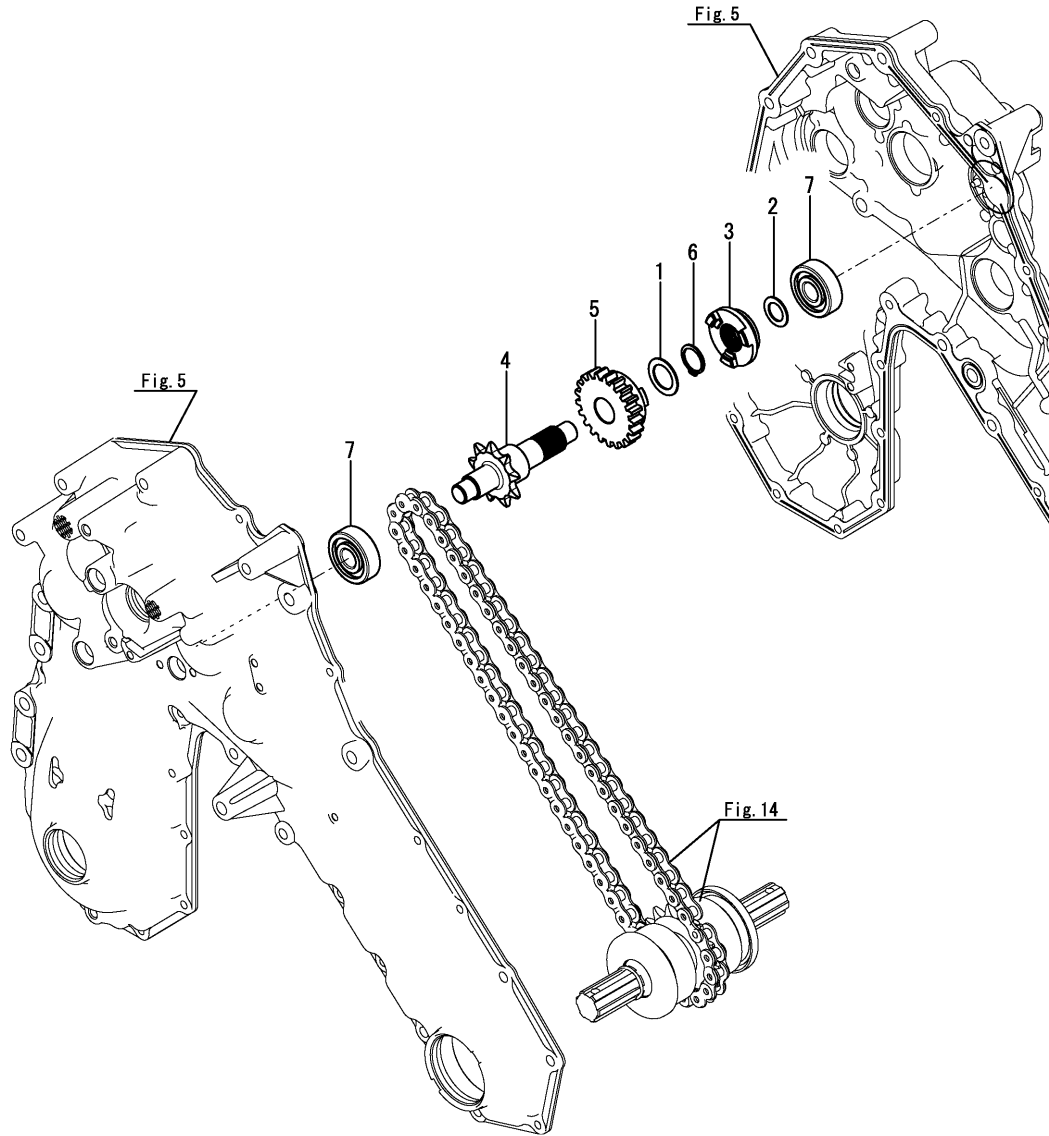
0CNP5-G51900 9. FINAL SHAFT

(A)=RK650,KPQ
(B)=
(C)=

(D)=
(E)=
(F)=

REF.	LEV.	PARTS NO.	DESCRIPTION	QTY						I	R	
				(A)	(B)	(C)	(D)	(E)	(F)			
1	1	1A2660-23300	FINAL SHAFT CMP	1								
2	1	24101-062014	BALL BEARING	1								
3	1	24101-062024	BALL BEARING	1								

Fig.10. TILLAGE 1 SHAFT



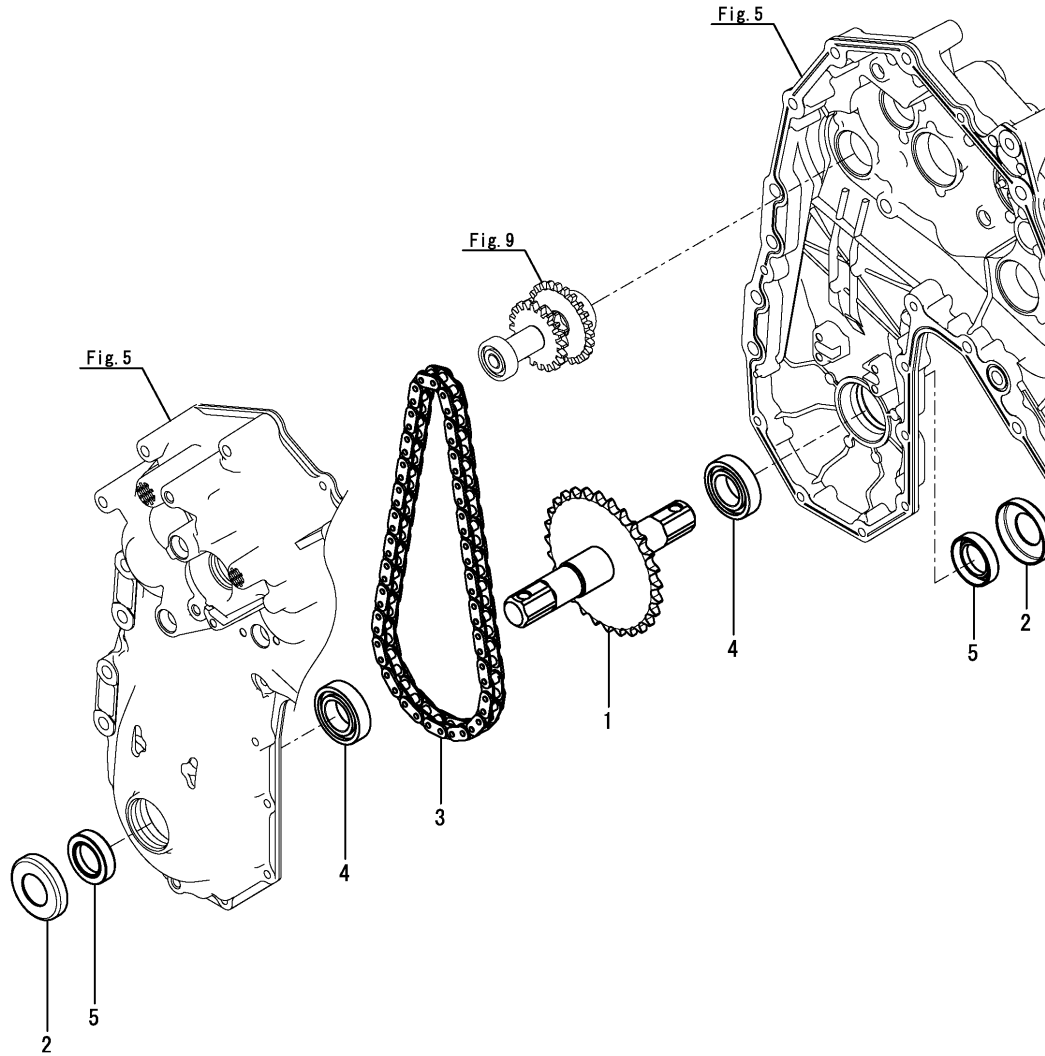
0CNP5-G51900 10. TILLAGE 1 SHAFT

(A)=RK650,KPQ
(B)=
(C)=

(D)=
(E)=
(F)=

REF.	LEV.	PARTS NO.	DESCRIPTION	QTY						I	R
				(A)	(B)	(C)	(D)	(E)	(F)		
1	1	1A1105-23200	LINER 30X20.2X1	1							
2	1	1A1735-23250	SPACER 15X24X1.0	1							
3	1	1A2480-23380	DOG CLUTCH	1							
4	1	1A2660-25100	SHAFT,ROTARY CLUTH	1							
5	1	1A2810-25110	GEAR 22	1							
6	1	22242-000200	CIRCLIP 20	1							
7	1	24101-063024	BALL BEARING	2							

Fig.11. AXLE SHAFT



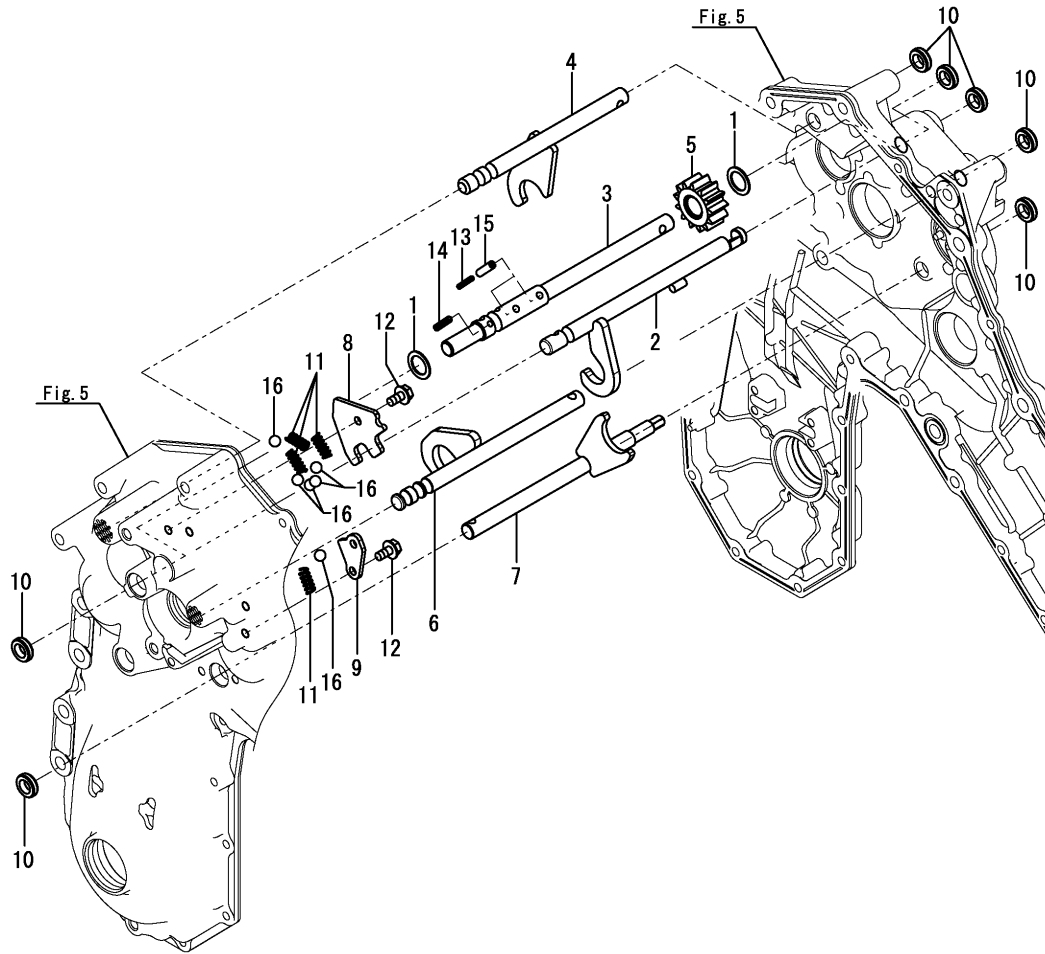
0CNP5-G51900 11. AXLE SHAFT

(A)=RK650,KPQ
(B)=
(C)=

(D)=
(E)=
(F)=

REF.	LEV.	PARTS NO.	DESCRIPTION	QTY						I	R	
				(A)	(B)	(C)	(D)	(E)	(F)			
1	1	1A2660-24000	WHEEL SHAFT CMP	1								
2	1	1A2660-24030	COVER	2								
3	1	1A2660-24200	CHAIN 40X56	1								
4	1	24101-060054	BALL BEARING 6005	2								
5	1	24421-254010	SEAL, TC254010	2								

Fig.12. MAIN CHANGE



(A)=RK650,KPQ

(B)=

(C)=

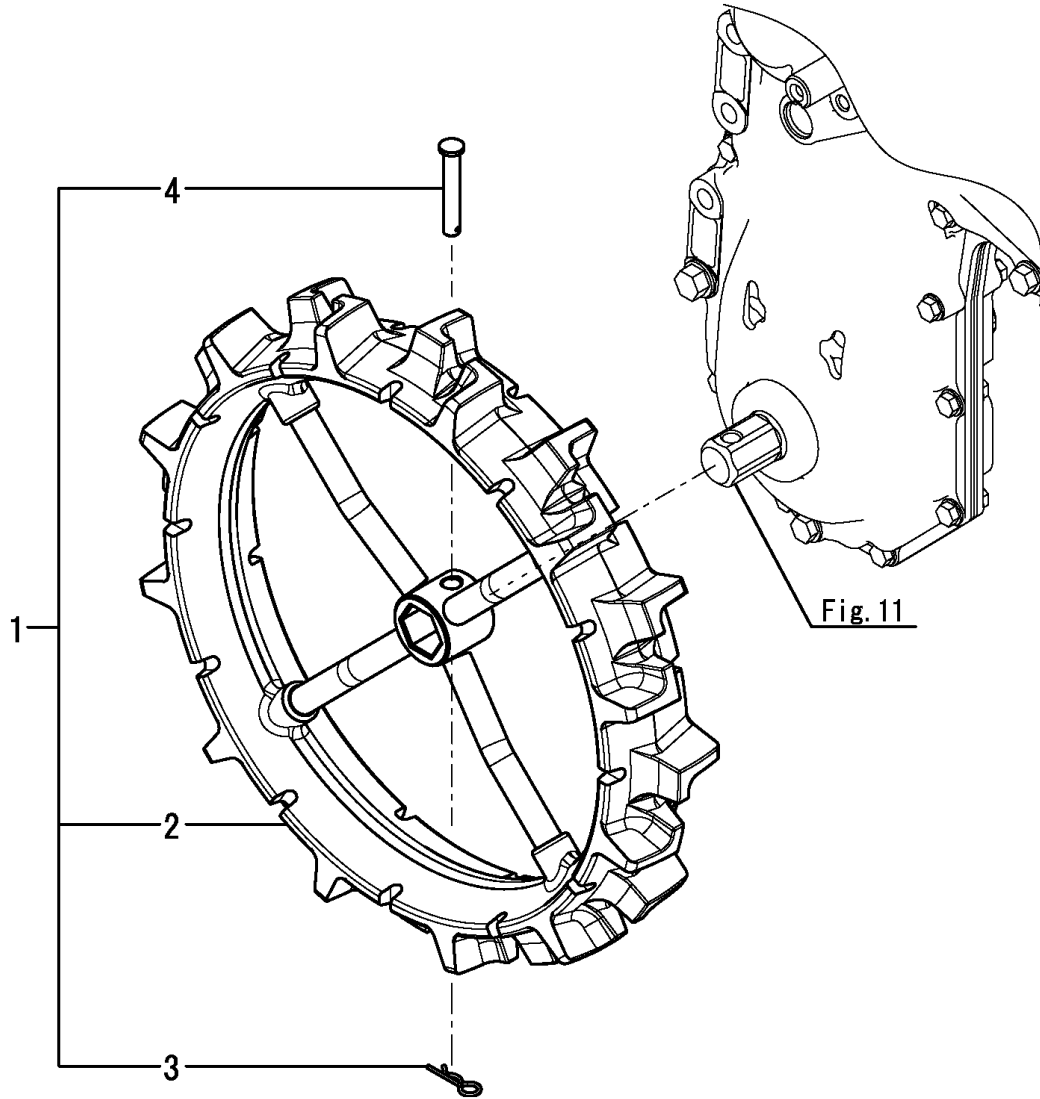
(D)=

(E)=

(F)=

REF.	LEV.	PARTS NO.	DESCRIPTION	QTY						I	R
				(A)	(B)	(C)	(D)	(E)	(F)		
1	1	1A1860-20280	SHIM 15.22.1.0	2							
2	1	1A2660-27000	SHAFT A,FORK CMP	1							
3	1	1A2660-27050	SHAFT B,FORK	1							
4	1	1A2660-27100	SHAFT C,FORK CMP	1							
5	1	1A2480-27121	GEAR ASSY, 13	1							
6	1	1A2810-27150	SHAFT D,FORK CMP	1							
7	1	1A2660-27200	SHAFT E,FORK CMP	1							
8	1	1A2660-27600	PLATE,RETAINER	1							
9	1	1A2480-27700	PLATE,B BALL KEEP	1							
10	1	1A2173-27900	SEAL, TC121805	7							
11	1	1E6150-56040	SPRING	4							
12	1	1A1750-90200	SCREW 6X12,COLLAR HD	4							
13	1	22351-030020	SPRING PIN 3X20	2							
14	1	22351-040020	SPRING PIN 4X20	1							
15	1	22351-050020	SPRING PIN 5X20	2							
16	1	24190-100003	BALL 5/16	6							

Fig.13. RUBBER LUG TIRE



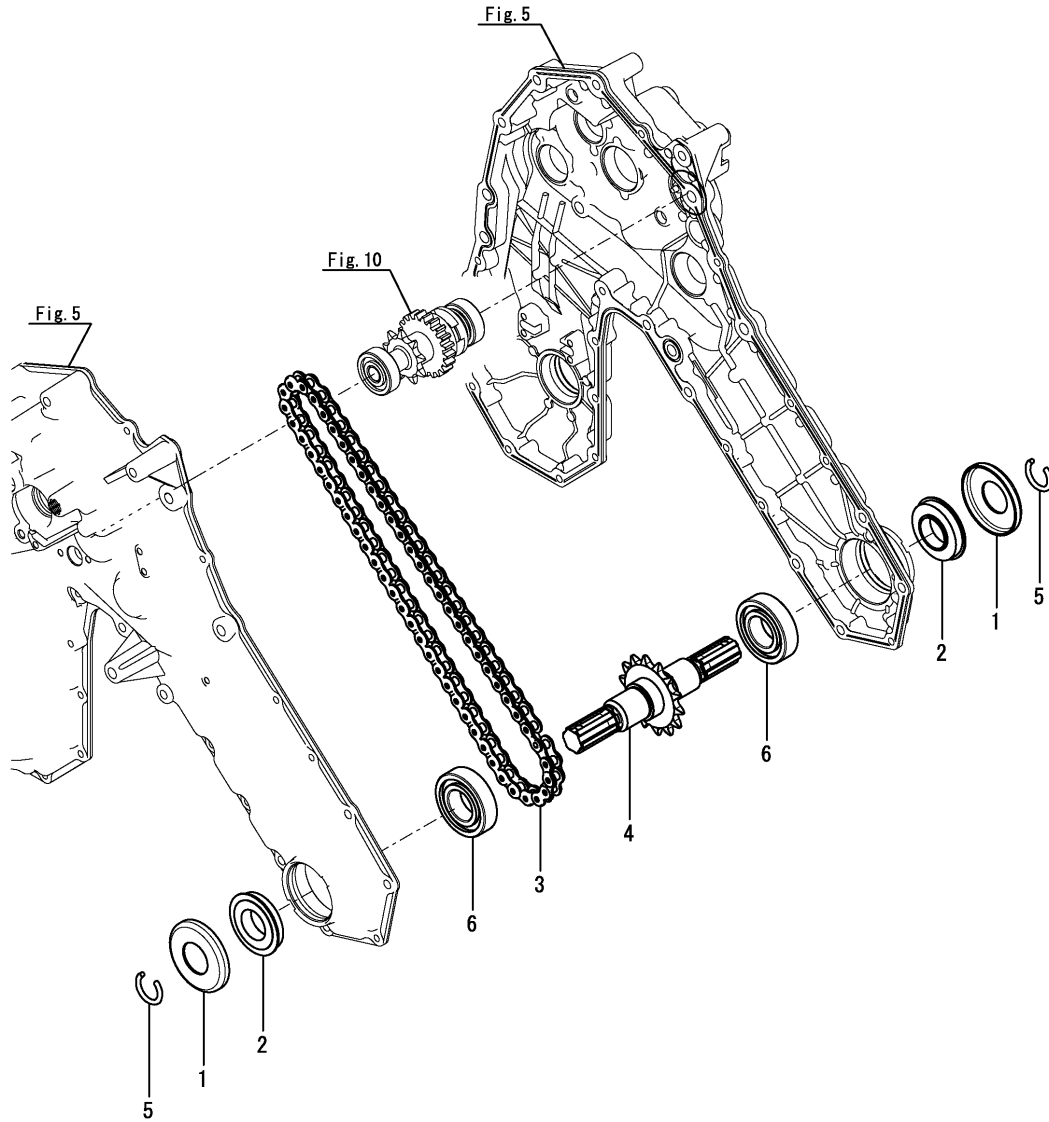
0CNP5-G51900 13. RUBBER LUG TIRE

(A)=RK650,KPQ
(B)=
(C)=

(D)=
(E)=
(F)=

REF.	LEV.	PARTS NO.	DESCRIPTION	QTY						I	R
				(A)	(B)	(C)	(D)	(E)	(F)		
1	1	7A2660-31001	TIRE,RUBBER LUG RK	1							
2	2	1A2660-31501	TIRE	2							
3	2	1A1540-46020	PIN 8,SNAP	2							
4	2	22486-080450	PIN 8X 45	2							

Fig.14. TILLAGE SHAFT



(A)=RK650,KPQ

(B)=

(C)=

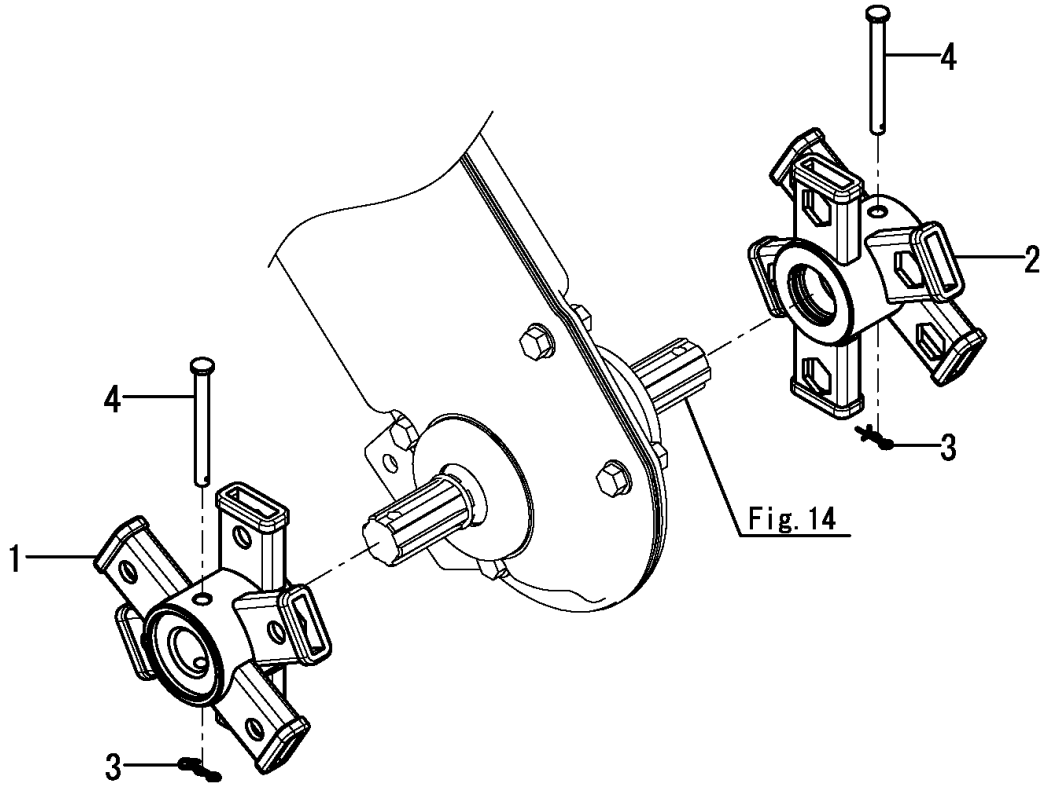
(D)=

(E)=

(F)=

REF.	LEV.	PARTS NO.	DESCRIPTION	QTY						I	R
				(A)	(B)	(C)	(D)	(E)	(F)		
1	1	1S0320-20250	CAP 65,SEAL	2							
2	1	1A2220-25030	SEAL 3055QLF,OIL	2							
3	1	1A2480-42100	ROLLER CHAIN	1							
4	1	1A2810-42200	ROTARY SHAFT CMP	1							
5	1	22207-025230	CIRCLIP 25X2.3	2							
6	1	24101-062064	BALL BEARING	2							

Fig.15. BLADE SHAFT



OCNP5-G51900 15. BLADE SHAFT

(A)=RK650,KPQ
(B)=
(C)=

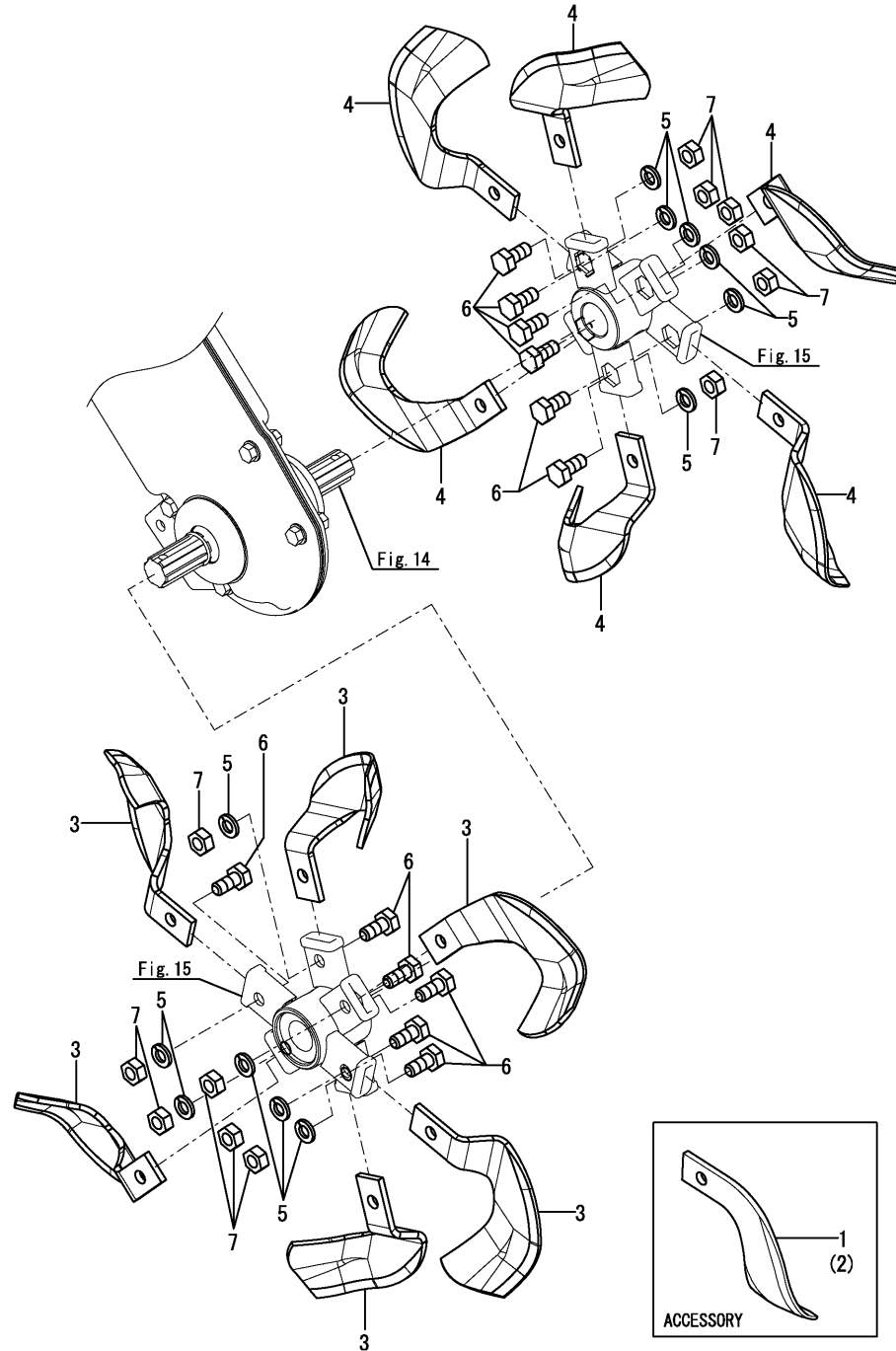
(D)=
(E)=
(F)=

REF.	LEV.	PARTS NO.	DESCRIPTION	QTY						I	R
				(A)	(B)	(C)	(D)	(E)	(F)		
1	1	1A2810-43100	SHAFT L CMP	1							
2	1	1A2810-43150	SHAFT R CMP	1							
3	1	1C6281-52310	PIN 6,COME-OFF SNAP	2							
4	1	22487-060600	PIN, 6 X 60	2							

Fig.16. BLADE

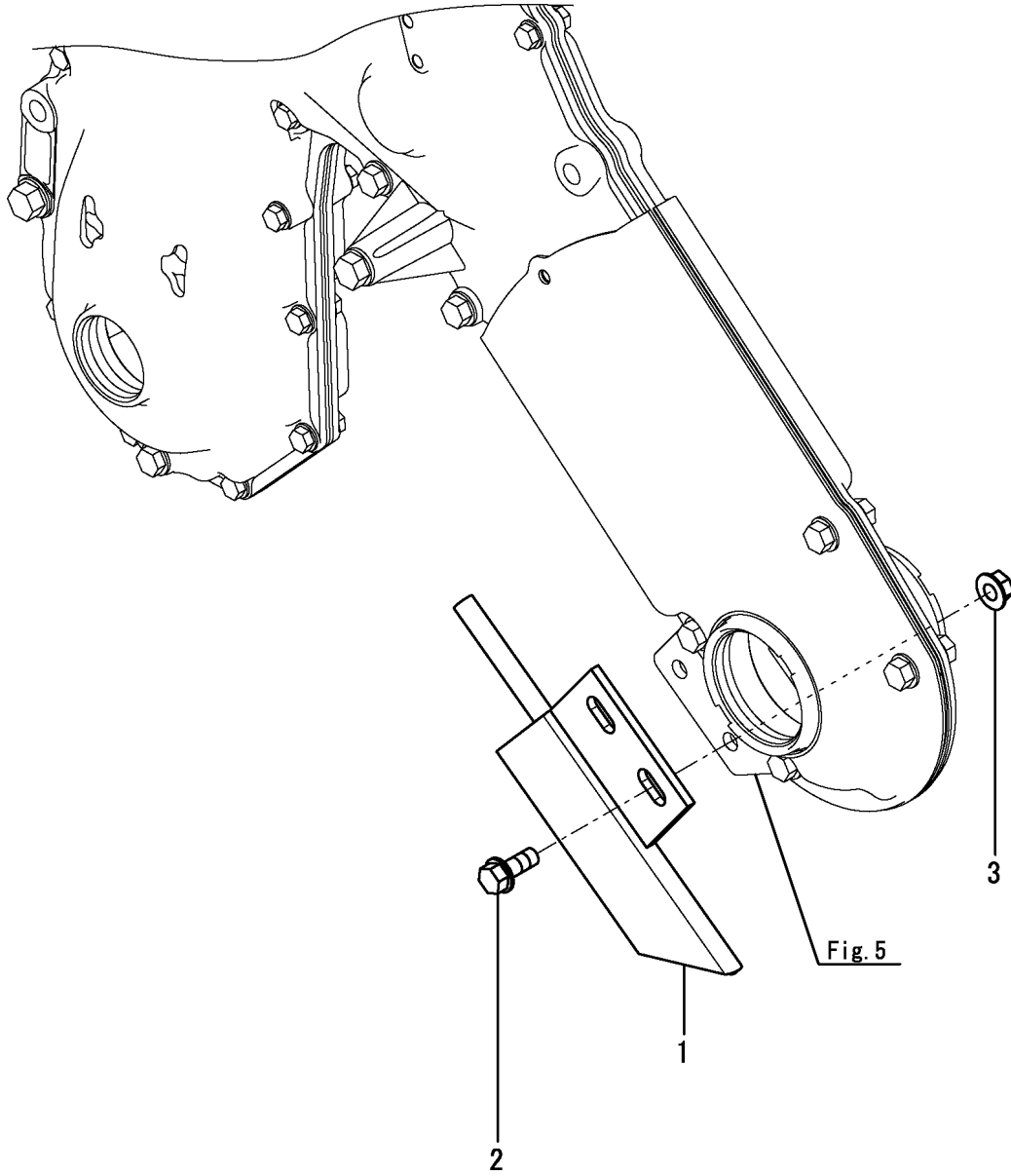
(A)=RK650,KPQ
(B)=
(C)=

(D)=
(E)=
(F)=



REF.	LEV.	PARTS NO.	DESCRIPTION	Q'TY						I	R
				(A)	(B)	(C)	(D)	(E)	(F)		
1	1	1S0010-63200	TINE V24L	2							
2	1	1S0010-63210	TINE V24R	2							
3	1	1S0010-63250	TINE,ECCENTRIC V24KL	6							
4	1	1S0010-63260	TINE,ECCENTRIC V24KR	6							
5	1	22217-100000	SPRING WASHER 10	12							
6	1	26207-100222	BOLT 10X 22 PLATED	12							
7	1	26707-100002	NUT M10	12							

Fig.17. SHARE,PLOW

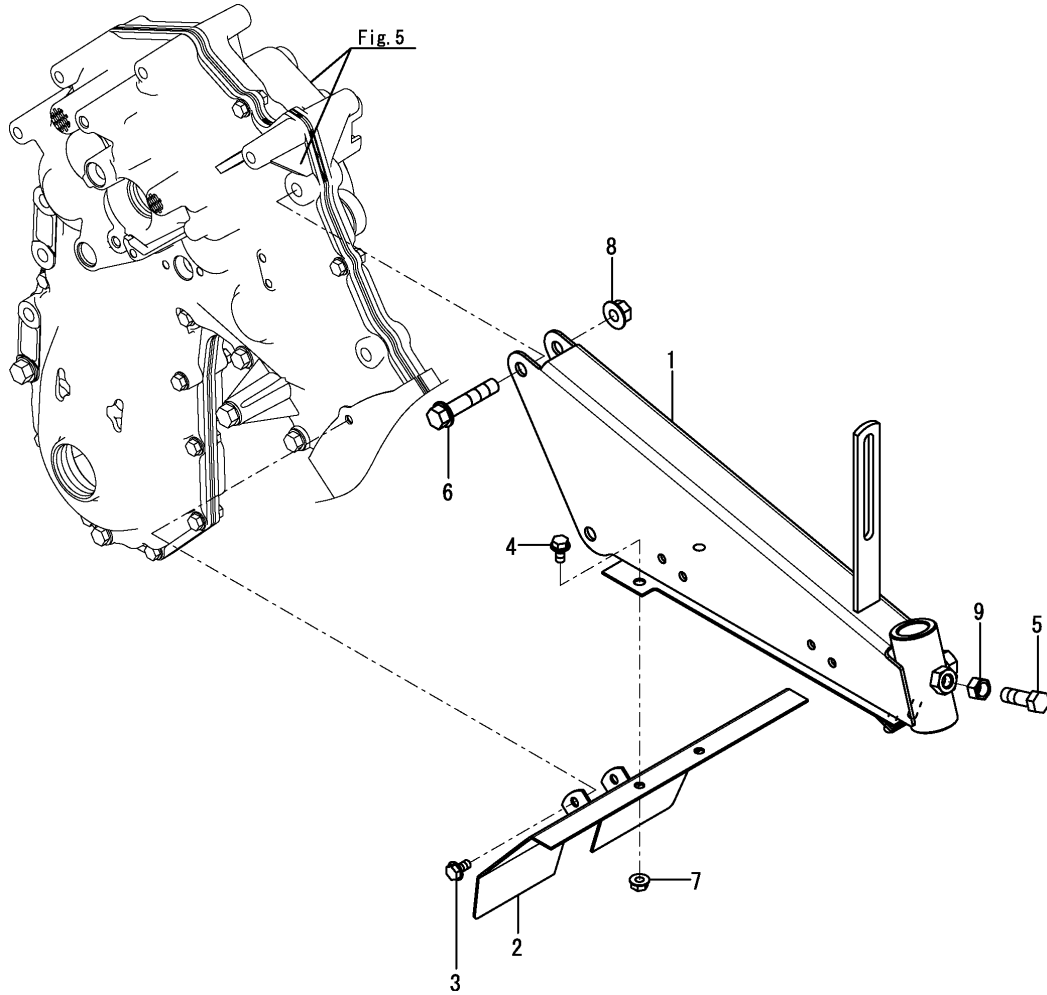


(A)=RK650,KPQ
(B)=
(C)=

(D)=
(E)=
(F)=

REF.	LEV.	PARTS NO.	DESCRIPTION	QTY						I	R	
				(A)	(B)	(C)	(D)	(E)	(F)			
1	1	1A2660-43170	KNIFE CMP	1								
2	1	26106-080202	BOLT M 8X 20 PLATED	2								
3	1	26367-080002	NUT, 8	2								

Fig.18. ROTARY FRAME



0CNP5-G51900 18. ROTARY FRAME

(A)=RK650,KPQ
(B)=
(C)=

(D)=
(E)=
(F)=

REF.	LEV.	PARTS NO.	DESCRIPTION	Q'TY						I	R
				(A)	(B)	(C)	(D)	(E)	(F)		
1	1	1A2810-44010	FRAME CMP, ROTARY(K	1							
2	1	1A2660-44040	FRONT COVER,ROTARY	1							
3	1	1A1750-90200	SCREW 6X12,COLLAR HD	2							
4	1	26106-060122	BOLT M 6X 12 PLATED	2							
5	1	26116-100252	BOLT M10X 25 PLATED	1							
6	1	26136-100502	BOLT M 10X 50	2							
7	1	26367-060002	NUT M 6	2							
8	1	26377-100002	U-NUT M10	2							
9	1	26757-100002	LOCK NUT M10	1							

Fig.19. COVER, ROTARY

(A)=RK650,KPQ

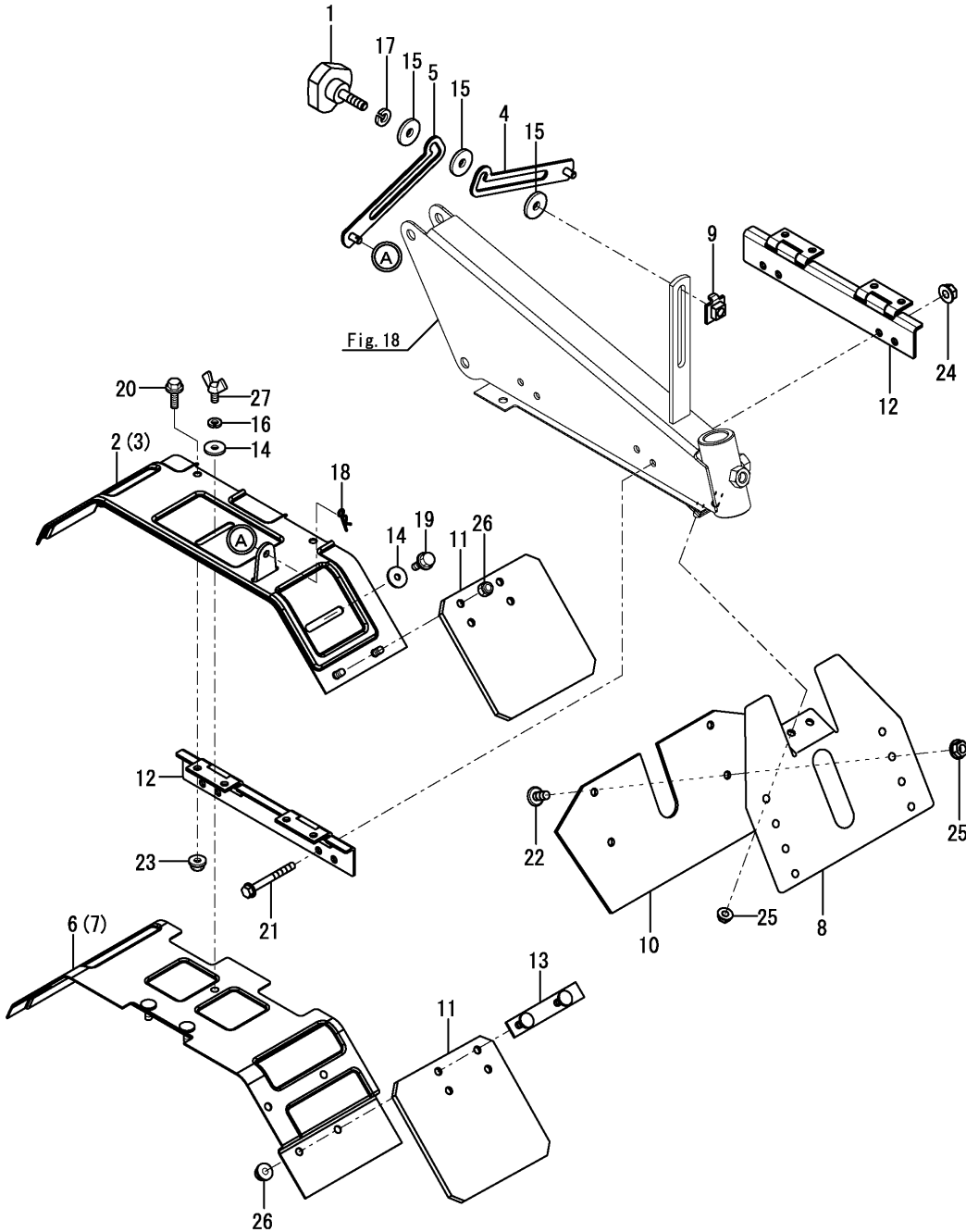
(B)=

(C)=

(D)=

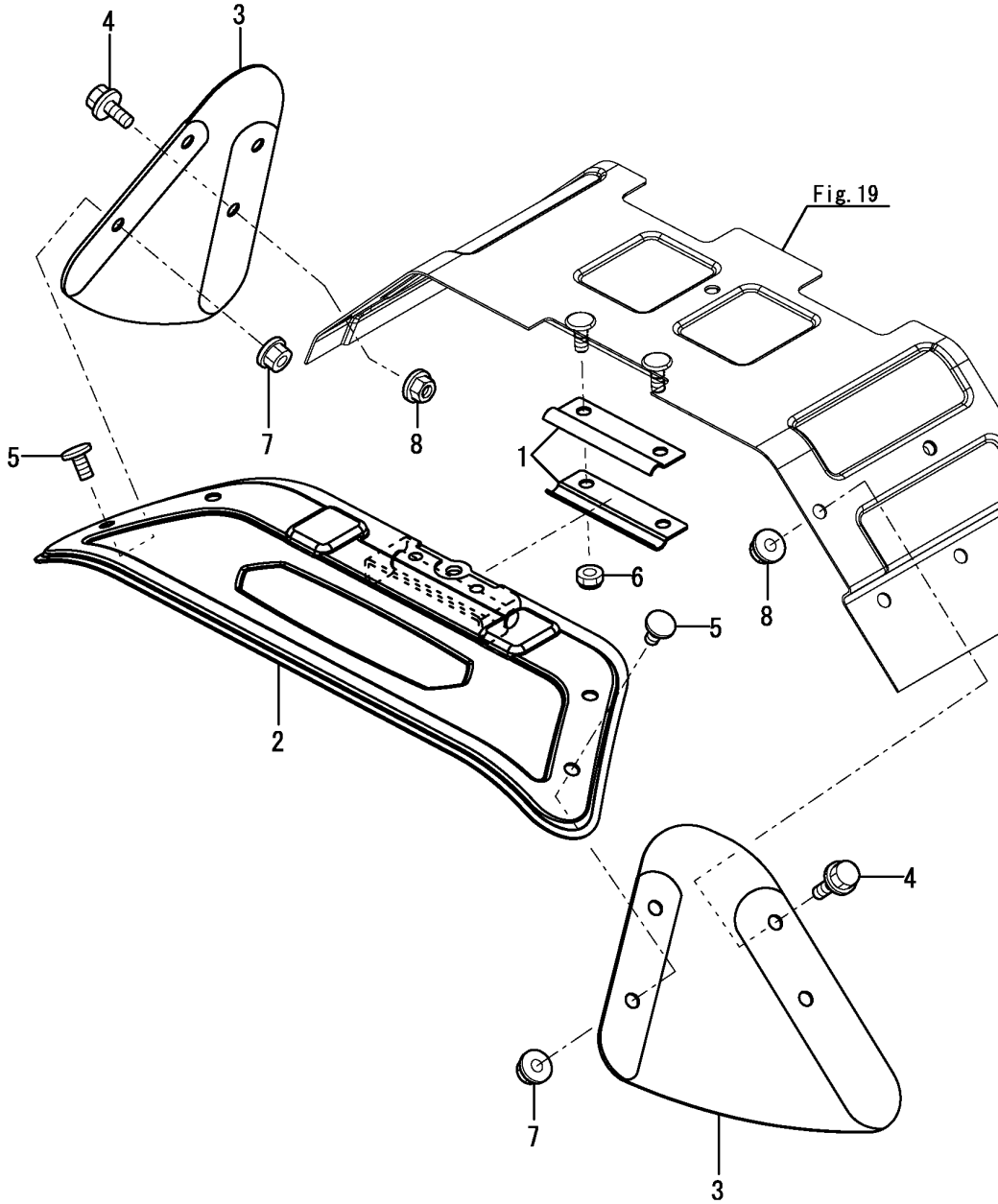
(E)=

(F)=



REF.	LEV.	PARTS NO.	DESCRIPTION	QTY						I	R
				(A)	(B)	(C)	(D)	(E)	(F)		
1	1	1S0311-40610	THUMBSCREW 8X30	1							
2	1	7A2810-44450	COVER L(K,PL	1							
3	1	7A2810-44460	COVER R(K,PL	1							
4	1	1A2240-44200	ARM L,SWING CMP	1							
5	1	1A2240-44250	ARM R,SWING CMP	1							
6	1	1A2240-44300	COVER L CMP.,COUNTER	1							
7	1	1A2240-44310	COVER R CMP.,COUNTER	1							
8	1	1A2810-44310	COVER, REAR	1							
9	1	1A2240-44401	SLIDER COMPL.	1							
10	1	1A2660-44500	MUDGUARD,CENTER	1							
11	1	1A2810-44590	MUDGUARD, R INNER	4							
12	1	1A2810-44700	STAY CMP, CENTER	2							
13	1	1W6385-50050	PLATE	2							
14	1	22157-060000	WASHER 6	6							
15	1	22157-080000	WASHER 8	3							
16	1	22217-060000	SPRING WASHER 6	2							
17	1	22287-080000	LOCKING WASHER	1							
18	1	22372-060000	SNAP PIN 6	2							
19	1	26106-060122	BOLT M 6X 12 PLATED	4							
20	1	26106-060122	BOLT M 6X 12 PLATED	4							
21	1	26106-060552	BOLT M 6X 55 PLATED	2							
22	1	26167-060122	BOLT 6X12,WELD	2							
23	1	26367-060002	NUT M 6	4							
24	1	26367-060002	NUT M 6	2							
25	1	26367-060002	NUT M 6	4							
26	1	26367-060002	NUT M 6	8							
27	1	26647-060122	WING BOLT M 6X12	2							

Fig.20. AUXILIARY COVER



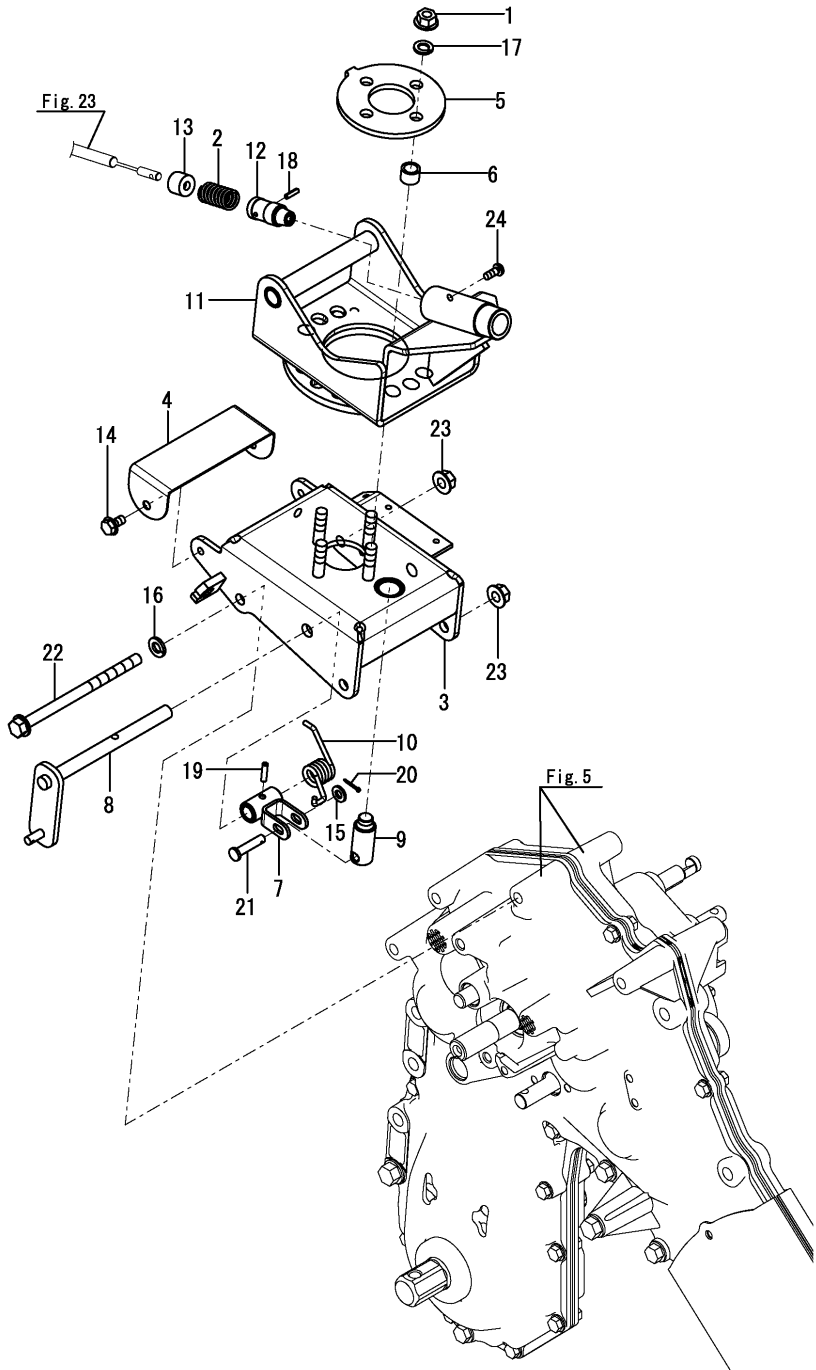
0CNP5-G51900 20. AUXILIARY COVER

(A)=RK650,KPQ
(B)=
(C)=

(D)=
(E)=
(F)=

REF.	LEV.	PARTS NO.	DESCRIPTION	QTY						I	R	
				(A)	(B)	(C)	(D)	(E)	(F)			
1	1	1W6385-10890	PLATE,SPRING	4								
2	1	1A2240-44500	COVER COMPL.,SIDE	2								
3	1	1A2252-44500	RUBBER, SIDE	4								
4	1	26107-060122	BOLT M 6X 12 PLATED	4								
5	1	26167-060122	BOLT 6X12,WELD	8								
6	1	26347-060002	U-NUT M 6	4								
7	1	26367-060002	NUT M 6	8								
8	1	26367-060002	NUT M 6	4								

Fig.21. HANDLE STAND(TURN)



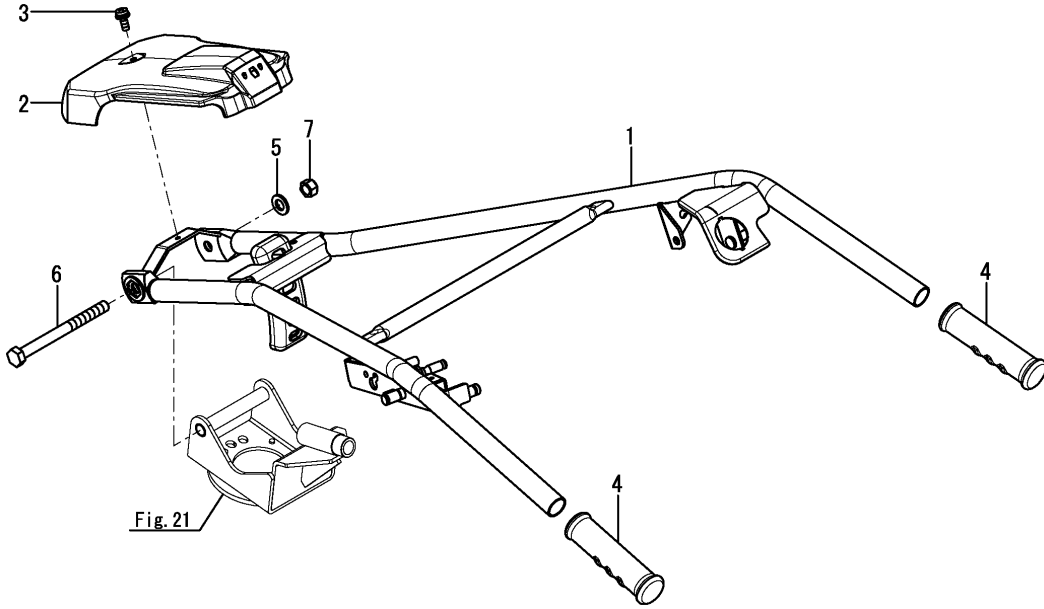
OCNP5-G51900 21. HANDLE STAND(TURN)

(A)=RK650,KPQ
(B)=
(C)=

(D)=
(E)=
(F)=

REF.	LEV.	PARTS NO.	DESCRIPTION	Q'TY						I	R
				(A)	(B)	(C)	(D)	(E)	(F)		
1	1	1W0224-09804	NUT	4							
2	1	1A1660-40380	SPRING 15X48,COMPRES	1							
3	1	1A2810-51010	STAND(K CMP	1							
4	1	1A2660-51060	COVER(ELECTRIC	1							
5	1	1A2810-51140	PLATE, INDEX	1							
6	1	1A2810-51150	COLLAR, HANDLE	4							
7	1	1A2810-51250	LOCK ARM CMP	1							
8	1	1A2810-51300	LEVER CMP, ROUND	1							
9	1	1A2660-51340	PIN, LOCK	1							
10	1	1A2222-51392	SPRING	1							
11	1	1A2810-51450	BASE ASSY,STEERING	1							
12	1	1A2680-51590	PIN, UP/DOWN LOCK	1							
13	1	1A2222-51810	RETAINER,LOCK PIN	1							
14	1	1A1750-90200	SCREW 6X12,COLLAR HD	2							
15	1	22137-060000	WASHER 6, POLISHED	1							
16	1	22217-080000	WASHER, 8	2							
17	1	22287-080000	LOCKING WASHER	4							
18	1	22351-030012	SPRING PIN 3X12	1							
19	1	22351-035016	SPRING PIN 3.5X16	1							
20	1	22417-160120	COTTER PIN 1.6X12	1							
21	1	22487-060240	PIN 6X 24	1							
22	1	26106-081202	BOLT M 8X120 PLATED	2							
23	1	26367-080002	NUT, 8	2							
24	1	26557-050122	SCREW, M5X12	1							

Fig.22. HANDLE

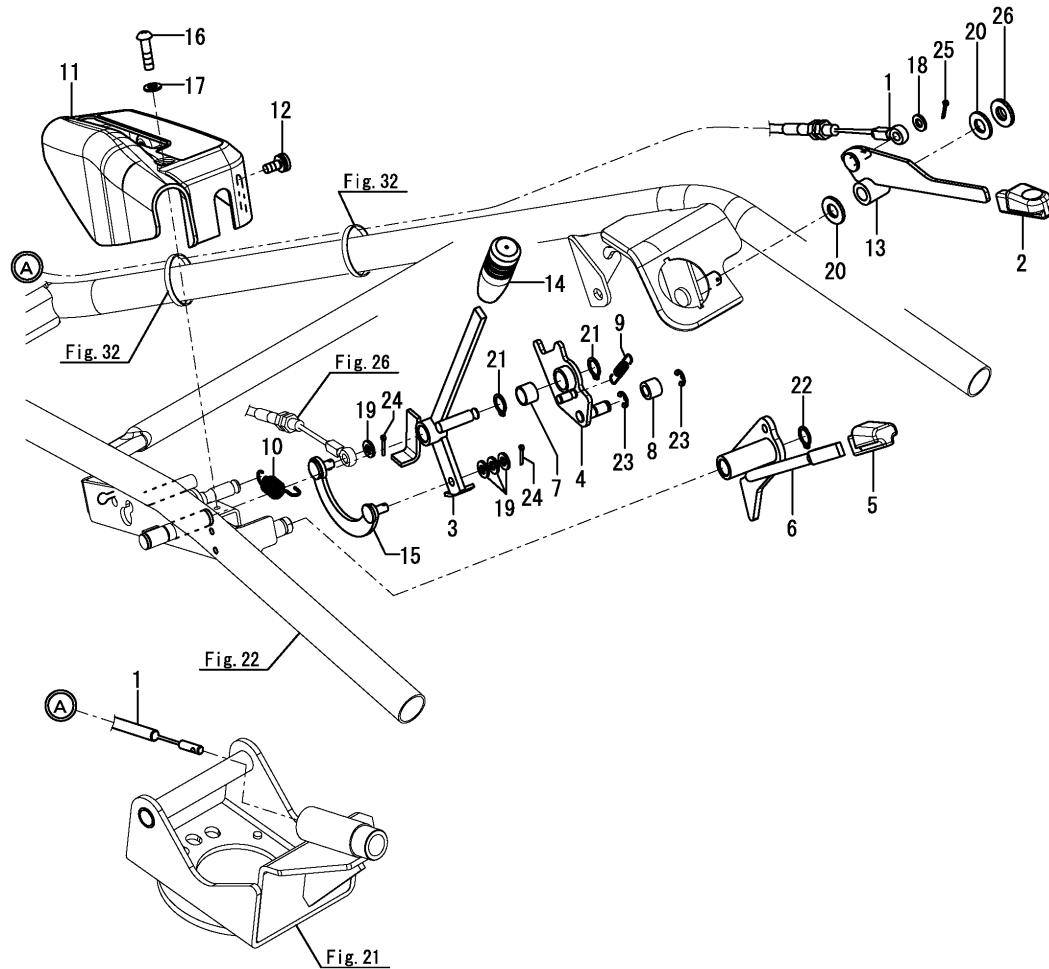


(A)=RK650,KPQ
(B)=
(C)=

(D)=
(E)=
(F)=

REF.	LEV.	PARTS NO.	DESCRIPTION	Q'TY						I	R
				(A)	(B)	(C)	(D)	(E)	(F)		
1	1	1A2810-51500	HANDLE CMP	1							
2	1	1A2222-52000	COVER,HANDLE	1							
3	1	1A1686-52230	SCREW 6X16,PAN HD.MC	1							
4	1	192040-56220	GRIP,HANDLE	2							
5	1	22137-120000	WASHER 12,POLISHED	1							
6	1	26206-121402	BOLT M12X140 PLATED	1							
7	1	26347-120002	U-NUT M12	1							

Fig.23. HANDLE ACCESSORIES



OCNP5-G51900 23. HANDLE ACCESSORIES

(A)=RK650,KPQ

(B)=

(C)=

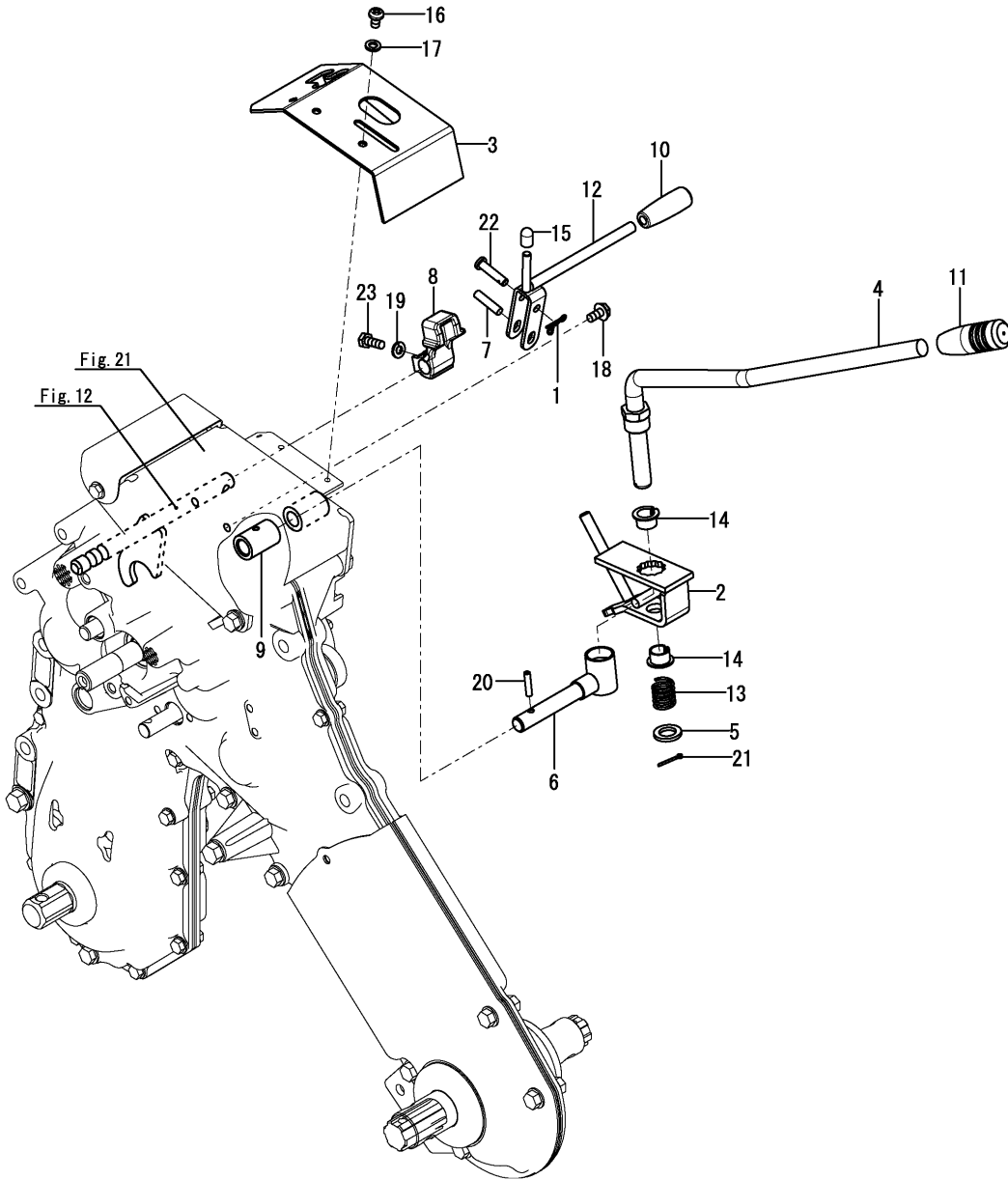
(D)=

(E)=

(F)=

REF.	LEV.	PARTS NO.	DESCRIPTION	Q'TY						I	R
				(A)	(B)	(C)	(D)	(E)	(F)		
1	1	1A2810-54100	WIRE, UP/DOWN	1							
2	1	1A2222-54250	KNOB,FINGER CLUTCH	1							
3	1	1A2222-54301	LEVER ASSY, CLUTCH	1							
4	1	1A2222-54350	SWITCHING ASSY CAM	1							
5	1	1A2252-54350	KNOB,FINGER CLUTCH	1							
6	1	1A2252-54360	LEVER CMP, FINGER	1							
7	1	1A2240-54400	BUSHING	1							
8	1	1A2240-54410	ROLLER 8X13X10	1							
9	1	1A2240-54420	SPRING A,TENSION	1							
10	1	1A2240-54430	SPRING B,TENSION	1							
11	1	7A2810-54050	COVER(K,PL	1							
12	1	1A1951-55030	SCREW 5X12	2							
13	1	1A2660-55520	LEVER,FINGER CMP	1							
14	1	1A2220-55580	GRIP,ORANGE LEVER	1							
15	1	1A2220-55750	LINK COMP.,CLUTCH	1							
16	1	1A2220-90010	SCREW M5X20,TAPPING	1							
17	1	1A1750-90150	WASHER 5,PLAIN	1							
18	1	22137-060000	WASHER 6, POLISHED	1							
19	1	22137-060000	WASHER 6, POLISHED	4							
20	1	22137-100000	WASHER 10,POLISHED	2							
21	1	22242-000120	CIRCLIP 12	2							
22	1	22242-000120	CIRCLIP 12	1							
23	1	22272-000060	CIRCLIP E- 6	2							
24	1	22417-200100	COTTER PIN 2.0X10	2							
25	1	22417-200120	COTTER PIN 2.0X12	1							
26	1	26892-001000	NUT 10	1							

Fig.24. CONTROL LEVER(TRAVELING)



OCNP5-G51900 24. CONTROL LEVER(TRAVELING)

(A)=RK650,KPQ

(B)=

(C)=

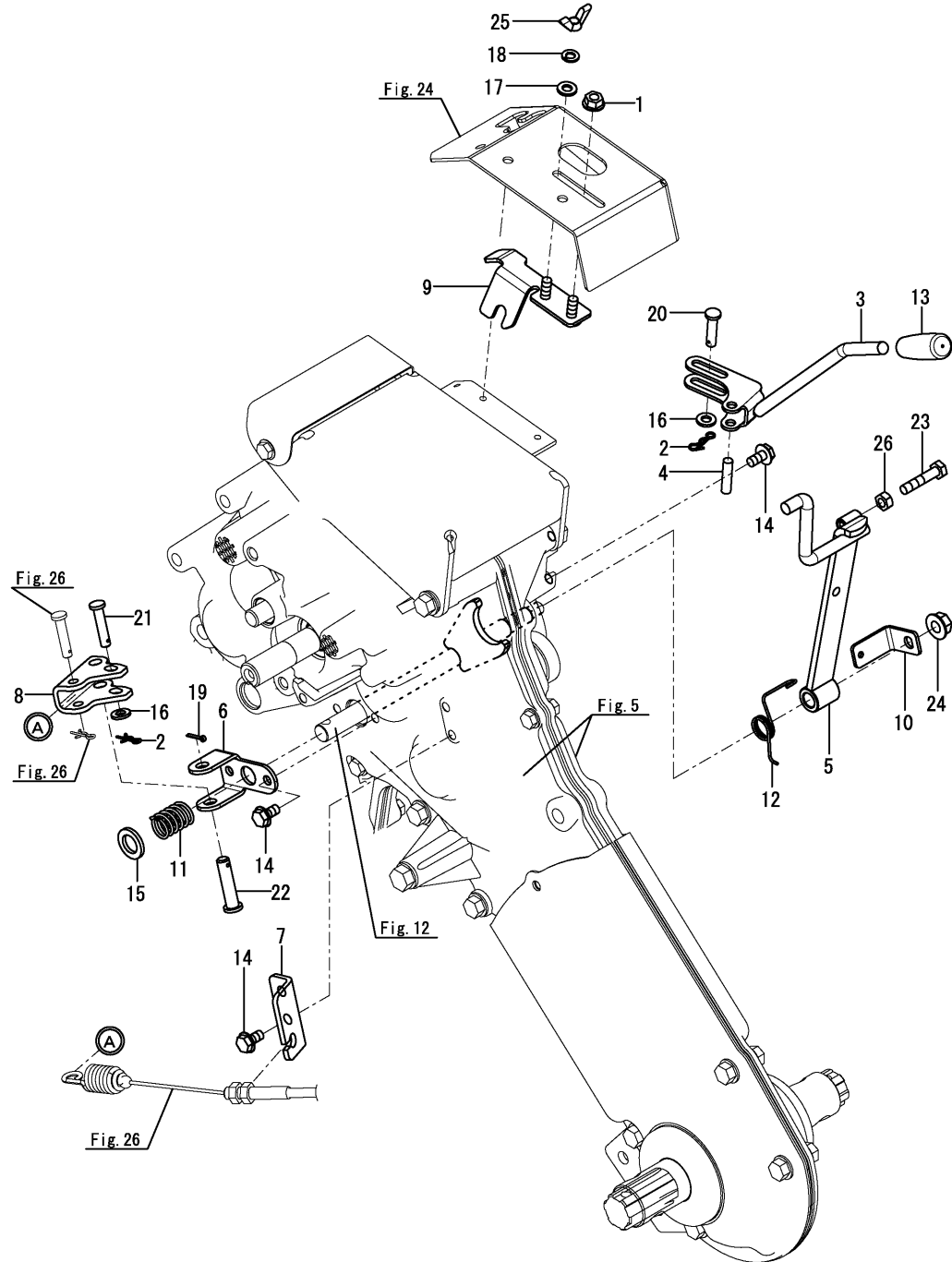
(D)=

(E)=

(F)=

REF.	LEV.	PARTS NO.	DESCRIPTION	QTY						I	R
				(A)	(B)	(C)	(D)	(E)	(F)		
1	1	1C6281-52310	PIN 6,COME-OFF SNAP	1							
2	1	1A2660-55000	CHANGE PLATE ASSY	1							
3	1	1A2810-55040	CHANGE COVER(K	1							
4	1	1A2660-55050	LEVER ASSY, CHANGE	1							
5	1	1A2810-55070	WASHER,20X13.1X2.0	1							
6	1	1A2660-55081	ASSY,CHANGE	1							
7	1	1A2220-55120	PIN 6X25	1							
8	1	1A2000-55241	BRACKET,CHANGE LEVER	1							
9	1	1A2810-55400	COLLAR 20X12X30	1							
10	1	1A2770-55490	GRIP, ORANGE	1							
11	1	1A2220-55580	GRIP,ORANGE LEVER	1							
12	1	1A2660-55600	LEVER,SUB-CHANGE	1							
13	1	1A1104-56031	SPRING,CHANGE LEVER	1							
14	1	1A1105-57151	METAL,CHANGE LEVER	2							
15	1	1D2430-81170	CAP, YELLOW	1							
16	1	1A1750-90010	SCREW 5X8,PAN HD.	3							
17	1	1A1750-90110	WASHER 5,SPRING	3							
18	1	1A1750-90200	SCREW 6X12,COLLAR HD	2							
19	1	22217-060000	SPRING WASHER 6	1							
20	1	22351-040020	SPRING PIN 4X20	1							
21	1	22417-200180	COTTER PIN 2.0X18	1							
22	1	22487-060220	PIN 6X 22	1							
23	1	26116-060162	BOLT 6X16	1							

Fig.25. CONTROL LEVER(TILLING)



OCNP5-G51900 25. CONTROL LEVER(TILLING)

(A)=RK650,KPQ

(B)=

(C)=

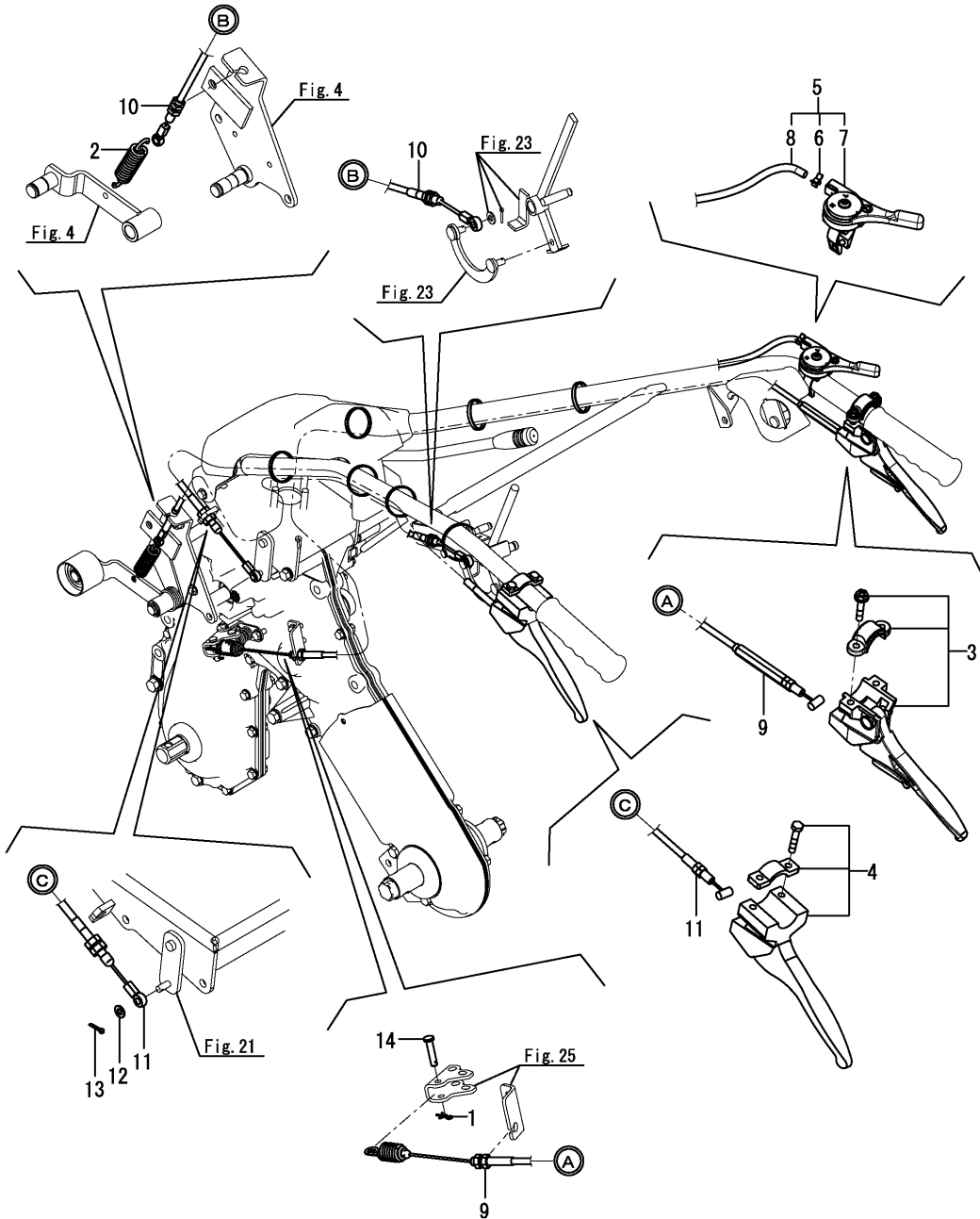
(D)=

(E)=

(F)=

REF.	LEV.	PARTS NO.	DESCRIPTION	Q'TY						I	R
				(A)	(B)	(C)	(D)	(E)	(F)		
1	1	1W0224-09802	U-NUT	1							
2	1	1C6281-52310	PIN 6,COME-OFF SNAP	2							
3	1	1A2660-55101	LEVER ASSY, ROTARY	1							
4	1	1A2220-55120	PIN 6X25	1							
5	1	1A2660-55131	ARM,ROTARY CMP	1							
6	1	1A2660-55160	STAY,CLUTCH	1							
7	1	1A2660-55170	PLATE	1							
8	1	1A2660-55180	STAY,CLUTCH	1							
9	1	1A2810-55300	PLATE CMP	1							
10	1	1A2660-55361	STAY,SPRING	1							
11	1	1A2660-55460	SPRING,17X25	1							
12	1	1A2660-55650	SPRING	1							
13	1	1A2660-56000	GRIP, YELLOW	1							
14	1	1A1750-90200	SCREW 6X12,COLLAR HD	6							
15	1	22117-120000	WASHER 12	1							
16	1	22137-060000	WASHER 6, POLISHED	2							
17	1	22137-060000	WASHER 6, POLISHED	1							
18	1	22287-060000	WASHER 6	1							
19	1	22417-200120	COTTER PIN 2.0X12	1							
20	1	22487-060200	PIN 6X 20	1							
21	1	22487-060240	PIN 6X 24	1							
22	1	22487-080300	PIN 8X 30	1							
23	1	26116-060304	BOLT M 6X 30 PLATED	1							
24	1	26367-080002	NUT, 8	1							
25	1	26636-060002	WING NUT M 6	1							
26	1	26717-060002	NUT M 6	1							

Fig.26. CONTROL LEVER(HANDLE)



0CNP5-G51900 26. CONTROL LEVER(HANDLE)

(A)=RK650,KPQ

(B)=

(C)=

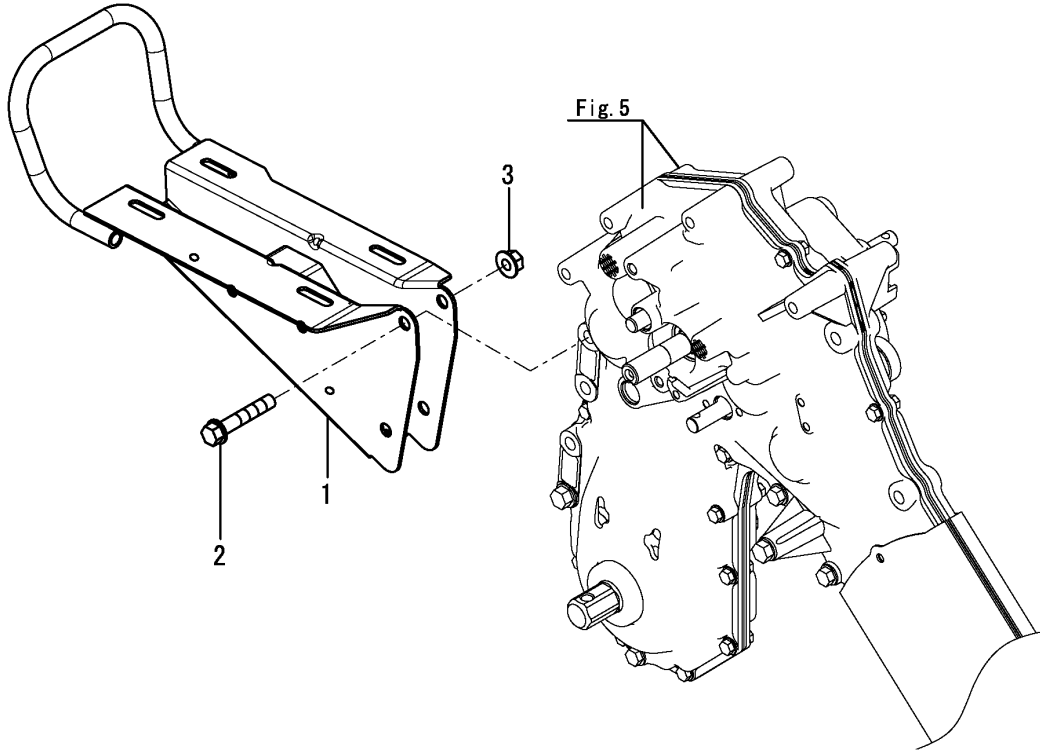
(D)=

(E)=

(F)=

REF.	LEV.	PARTS NO.	DESCRIPTION	QTY						I	R
				(A)	(B)	(C)	(D)	(E)	(F)		
1	1	1C6281-52310	PIN 6,COME-OFF SNAP	1							
2	1	1A1479-55280	SPRING,TENSION	1							
3	1	1A2132-55600	CLUTCH LEVER	1							
4	1	1A2132-55610	LEVER E,CLUTCH	1							
5	1	1A2810-55650	LEVER ASSY,ACCELE	1							
6	2	1A2240-55210	M-CLIP	1							
7	2	1A2222-55670	ACCEL LEVER	1							
8	2	1A2810-55680	WIRE, ACCELERATOR	1							
9	1	1A2810-55750	WIRE,ROTARY	1							
10	1	1A2810-55850	WIRE, CLUTCH MAIN	1							
11	1	1A2810-55870	WIRE,ROUND	1							
12	1	22137-060000	WASHER 6, POLISHED	1							
13	1	22417-200120	COTTER PIN 2.0X12	1							
14	1	22487-060240	PIN 6X 24	1							

Fig.27. ENGINE FRAME



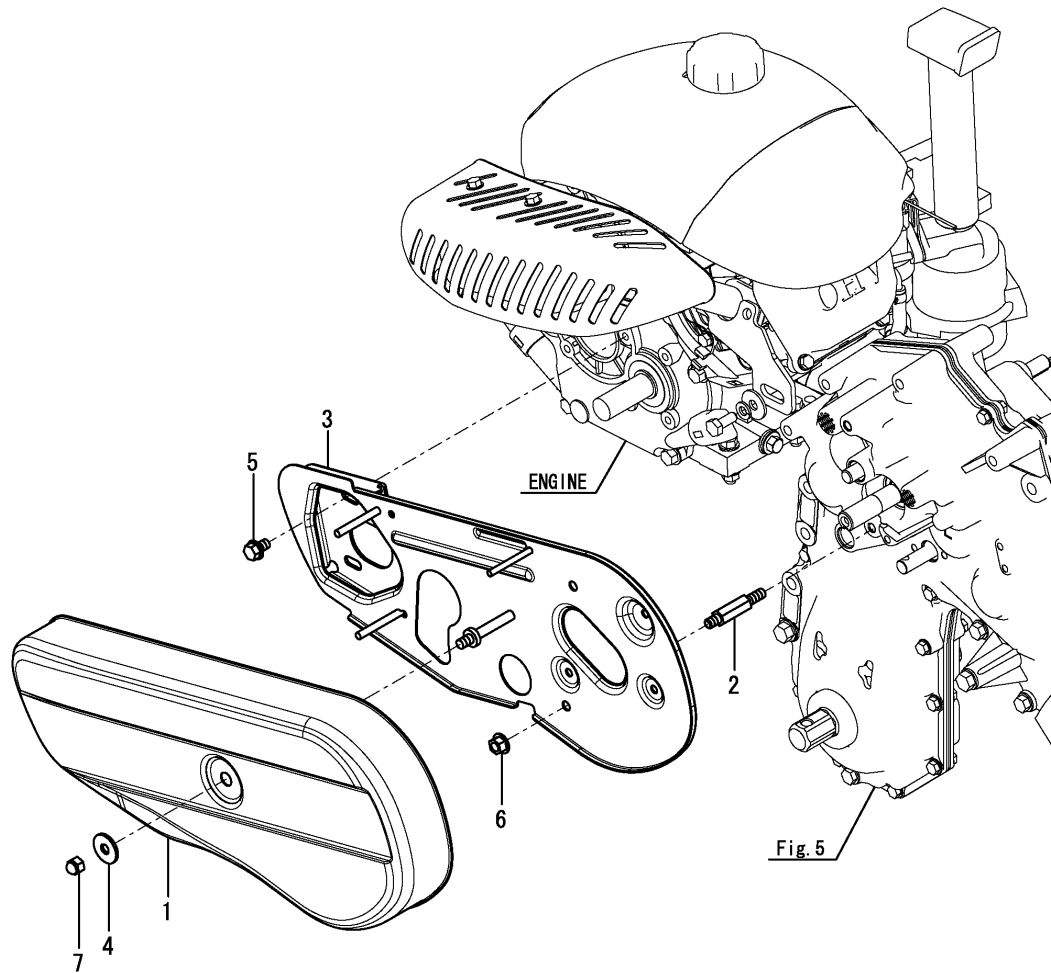
0CNP5-G51900 27. ENGINE FRAME

(A)=RK650,KPQ
(B)=
(C)=

(D)=
(E)=
(F)=

REF.	LEV.	PARTS NO.	DESCRIPTION	Q'TY						I	R	
				(A)	(B)	(C)	(D)	(E)	(F)			
1	1	1A2810-61000	FRAME ASSY,ENGINE	1								
2	1	26136-100552	BOLT M10X 55	2								
3	1	26377-100002	U-NUT M10	2								

Fig.28. BELT COVER



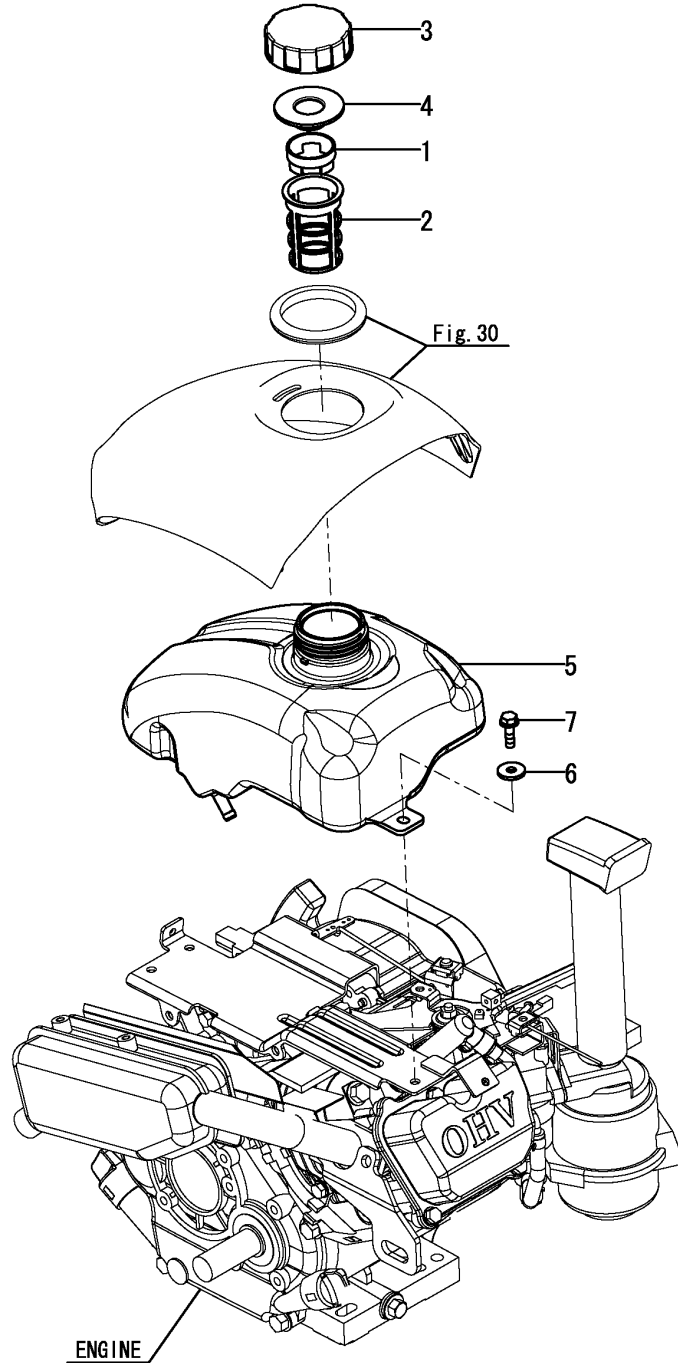
0CNP5-G51900 28. BELT COVER

(A)=RK650,KPQ
(B)=
(C)=

(D)=
(E)=
(F)=

REF.	LEV.	PARTS NO.	DESCRIPTION	QTY						I	R
				(A)	(B)	(C)	(D)	(E)	(F)		
1	1	1A2000-62011-1	COVER, BELT	1							
2	1	1A2660-62050	STUD 64,COVER	1							
3	1	1A2810-62100	COVER CMP, BACK	1							
4	1	22157-080000	WASHER 8	1							
5	1	26106-080122	BOLT M 8X 12 PLATED	3							
6	1	26367-080002	NUT, 8	1							
7	1	26657-080002	CAP NUT M 8	1							

Fig.29. FUEL TANK



(A)=RK650,KPQ
(B)=
(C)=

(D)=
(E)=
(F)=

REF.	LEV.	PARTS NO.	DESCRIPTION	Q'TY						I	R	
				(A)	(B)	(C)	(D)	(E)	(F)			
1	1	1W2984-10050	GAUGE	1								
2	1	1W1303-40010	FILTER,FUEL	1								
3	1	160610-55040	CAP	1								
4	1	1C6054-62030	PACKING,FUEL TANK	1								
5	1	1A2740-63001	FUEL TANK	1								
6	1	22157-060000	WASHER 6	3								
7	1	26106-060202	BOLT M 6X 20 PLATED	3								

Fig.30. COVER, CYL.HEAD

(A)=RK650,KPQ

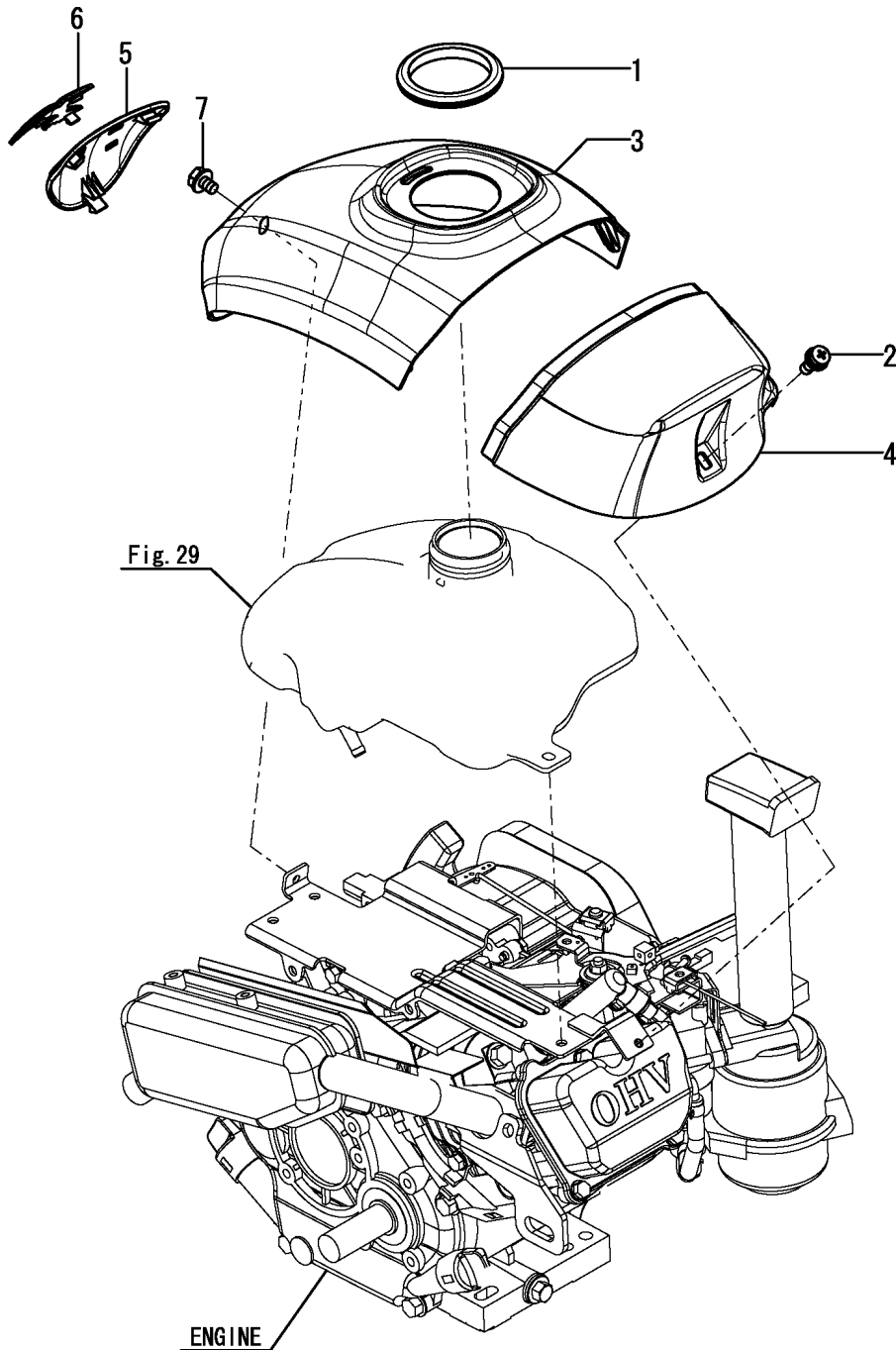
(B)=

(C)=

(D)=

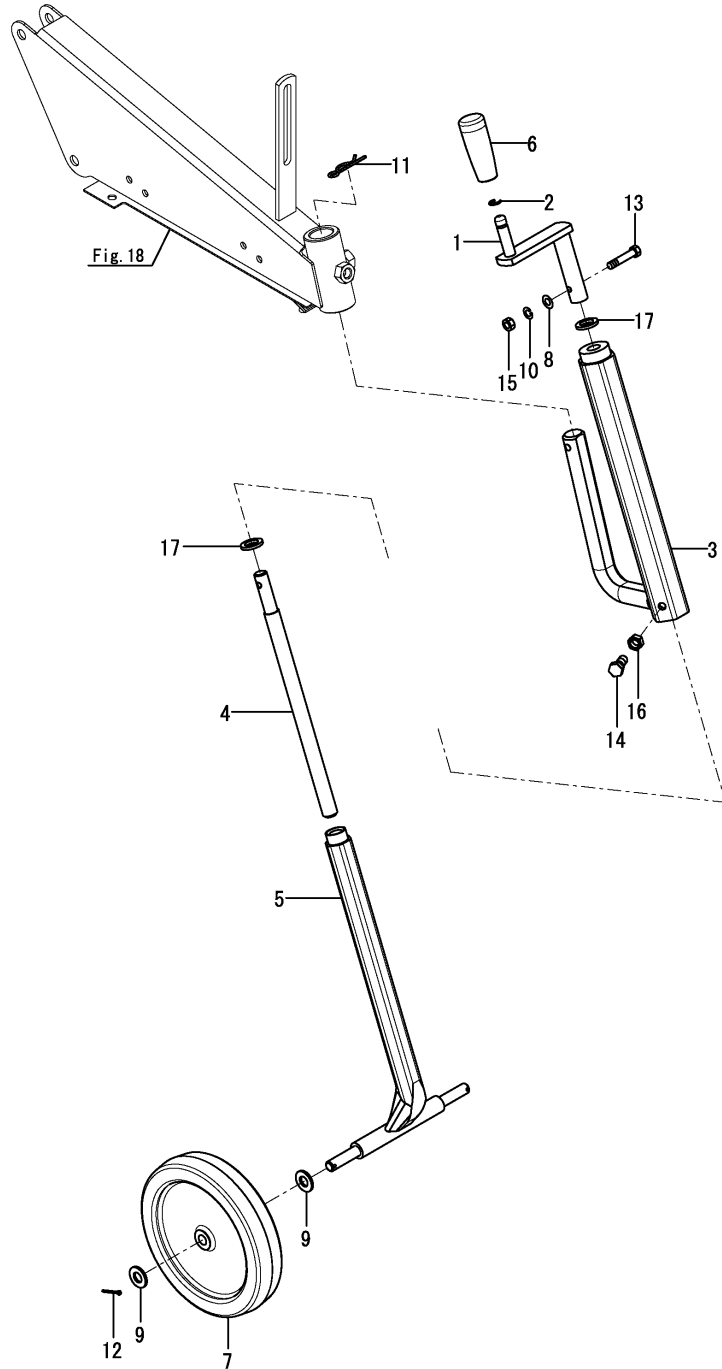
(E)=

(F)=



REF.	LEV.	PARTS NO.	DESCRIPTION	QTY						I	R
				(A)	(B)	(C)	(D)	(E)	(F)		
1	1	1W3981-10440	RUBBER	1							
2	1	1A1686-52230	SCREW 6X16,PAN HD.MC	1							
3	1	7A2810-64050	BONNET(K PL ASSY)	1							
4	1	1A2810-64010	COVER, REAR	1							
5	1	1A2720-64100	MUSK, FRONT	1							
6	1	1A2720-64110	BLAND MARK	1							
7	1	26106-060082	BOLT M 6X 8 PLATED	1							

Fig.31. TAIL WHEEL



0CNP5-G51900 31. TAIL WHEEL

(A)=RK650,KPQ
(B)=
(C)=

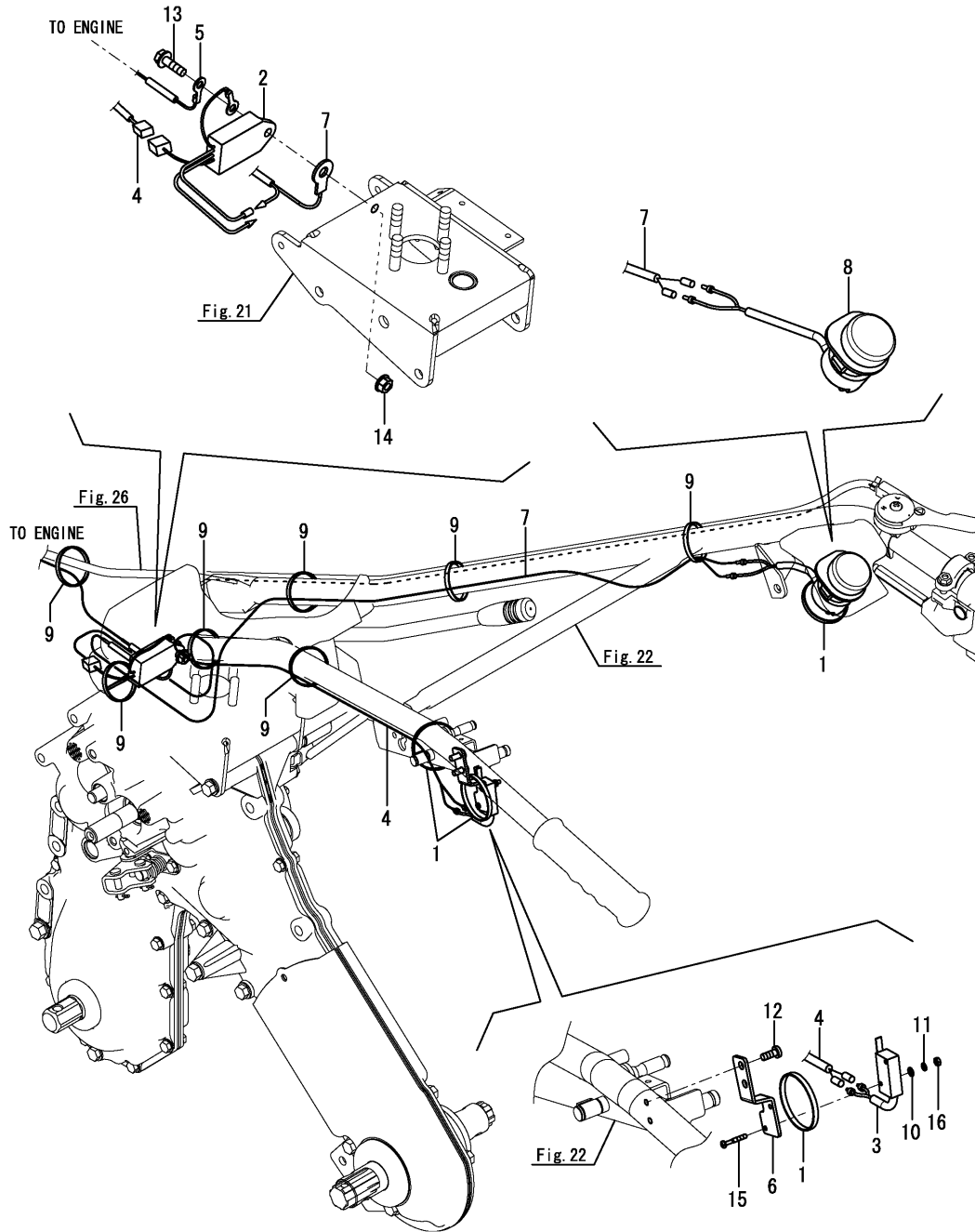
(D)=
(E)=
(F)=

REF.	LEV.	PARTS NO.	DESCRIPTION	QTY						I	R
				(A)	(B)	(C)	(D)	(E)	(F)		
1	1	1A2223-46000-1	HANDLE ASSY	1							
2	1	1S0205-70100	CIRCLIP 11	1							
3	1	1A2810-72000	STAY CMP,ADJUST	1							
4	1	1A2810-72100	SCREW, TAIL WHEEL	1							
5	1	1A2810-72200	SHAFT CMP	1							
6	1	1A1040-77100	GRIP, ADJUST HANDLE	1							
7	1	1A2310-98450	WEIGHT, TAIL WHEEL	2							
8	1	22137-050000	WASHER 5, POLISHED	1							
9	1	22137-100000	WASHER 10,POLISHED	4							
10	1	22217-050000	SPRING WASHER 5	1							
11	1	22372-160000	SNAP PIN 16	1							
12	1	22417-200200	COTTER PIN 2.0X20	2							
13	1	26116-050252	BOLT M 5X 25 PLATED	1							
14	1	26116-080202	BOLT M 8X 20 PLATED	2							
15	1	26717-050002	NUT 5	1							
16	1	26717-080002	NUT 8	2							
17	1	22117-120000	WASHER 12	2							

Fig.32. ELECTRONIC

(A)=RK650,KPQ
(B)=
(C)=

(D)=
(E)=
(F)=



REF.	LEV.	PARTS NO.	DESCRIPTION	QTY						I	R
				(A)	(B)	(C)	(D)	(E)	(F)		
1	1	1A2320-55900	BAND	3							
2	1	160593-77750	SWITCH	1							
3	1	1A2810-83000	SWITCH, SAFETY	1							
4	1	1A2810-83010	HARNESS(SAFETY	1							
5	1	1A2810-83050	HARNESS, EARTH	1							
6	1	1A2222-83170	BRACKET, SWITCH	1							
7	1	1A2223-83200	HARNESS, SWITCH	1							
8	1	1A2490-83202	SWITCH, STOP	1							
9	1	1E6102-84970	BAND 140,WIRE LOCK	7							
10	1	22137-030000	WASHER 3	2							
11	1	22217-030000	WASHER, SPRING 3	2							
12	1	22857-500121	SCREW 5X12	2							
13	1	26106-060202	BOLT M 6X 20 PLATED	1							
14	1	26367-060002	NUT M 6	1							
15	1	26557-030202	SCREW M 3X 20	2							
16	1	26717-030002	NUT M 3	2							

Fig.33. LABEL

(A)=RK650,KPQ

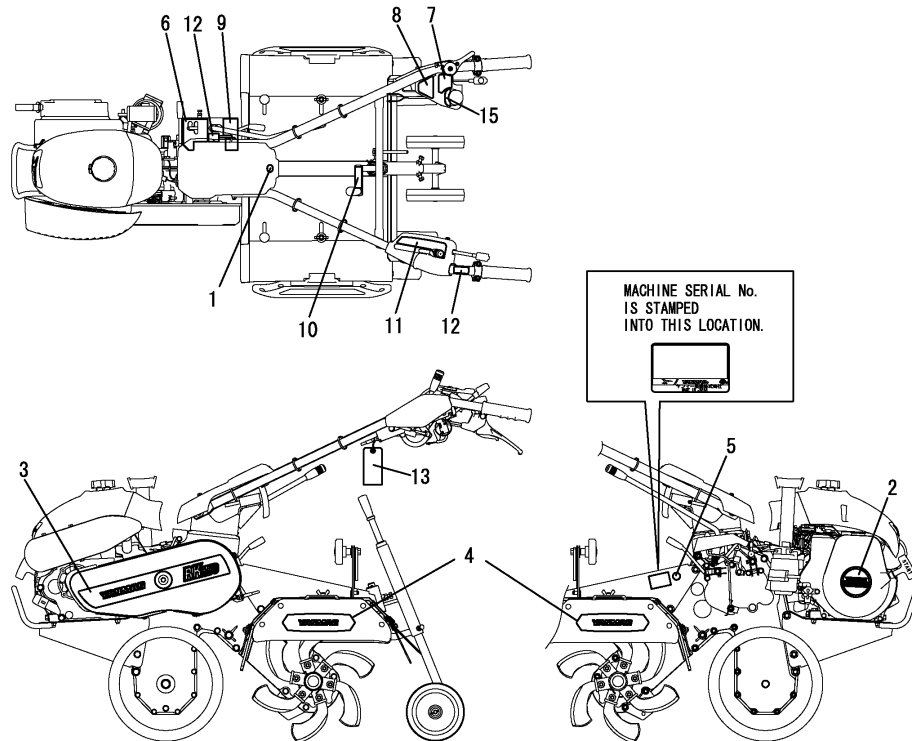
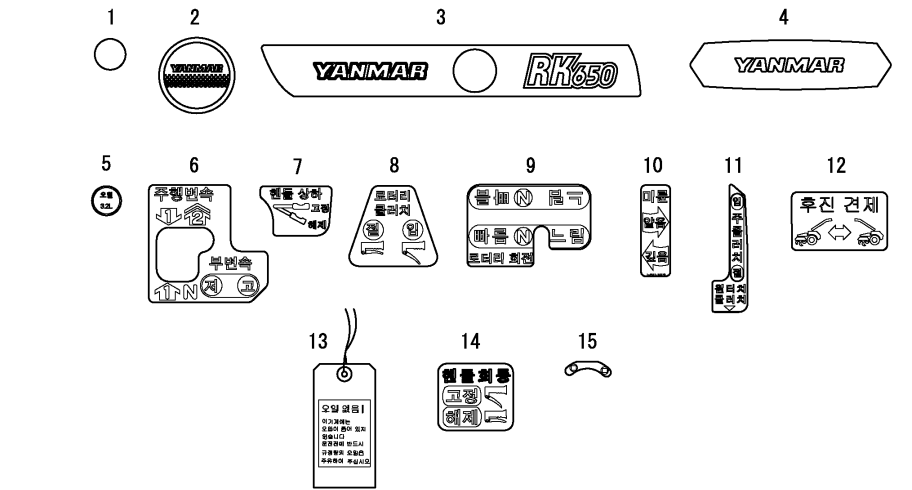
(B)=

(C)=

(D)=

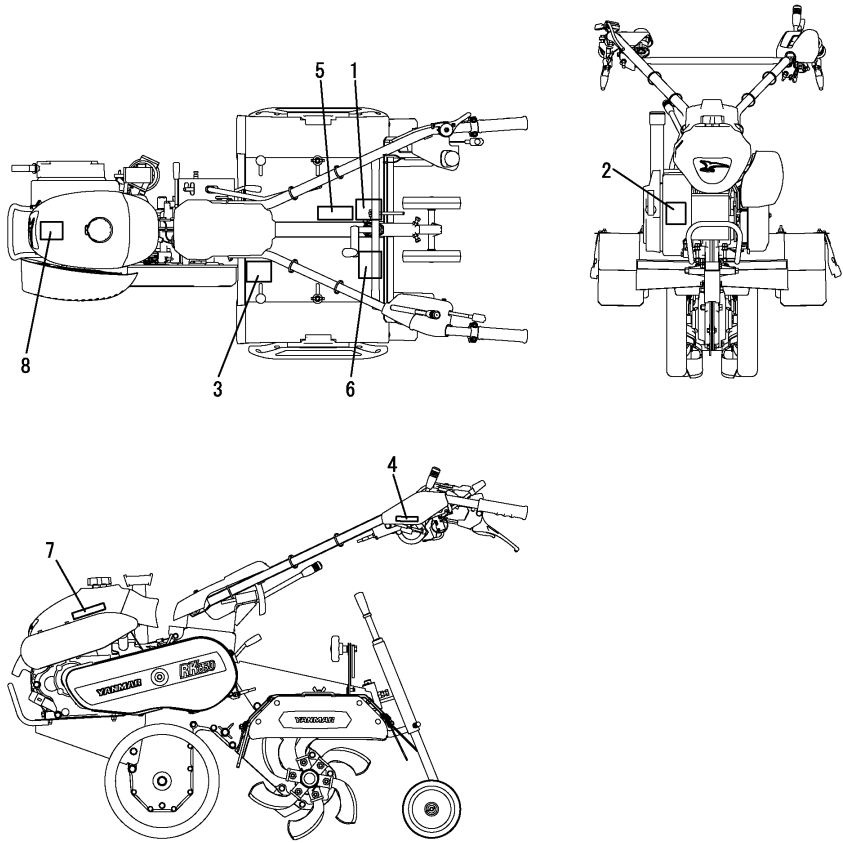
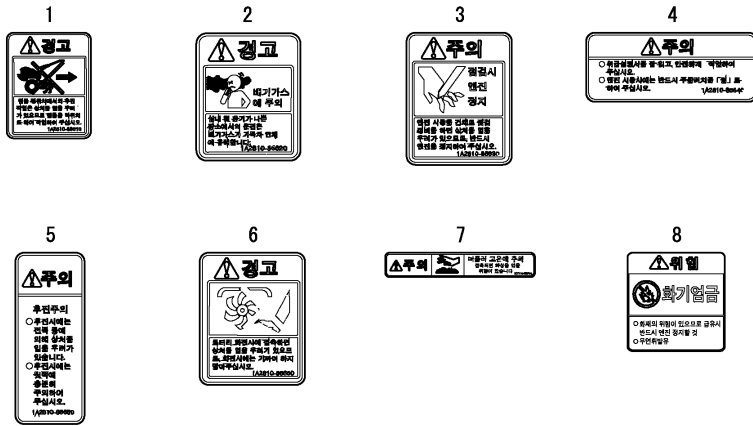
(E)=

(F)=



REF.	LEV.	PARTS NO.	DESCRIPTION	QTY						I	R
				(A)	(B)	(C)	(D)	(E)	(F)		
1	1	1E8330-33650	LABEL,HOLE HIDING	1							
2	1	1A2770-86100	LABEL, RECOIL	1							
3	1	1A2810-86100	ARNAMENT PLATE	1							
4	1	1A2800-86400	MARK, COVER SIDE	2							
5	1	1A2810-86510	LABEL, OIL	1							
6	1	1A2810-86520	LABEL, CHANGE	1							
7	1	1A2810-86530	LABEL, ADJUST	1							
8	1	1A2810-86550	LABEL, ROTARY CLUTCH	1							
9	1	1A2810-86560	LABEL, ROTARY R.P.M	1							
10	1	1A2810-86570	LABEL, TAIL WHEEL	1							
11	1	1A2810-86590	LABEL, CLUTCH	1							
12	1	1A2810-86600	LABEL, CHECK	1							
13	1	1A2810-86670	LABEL, OIL	1							
14	1	1A2810-86710	LABEL, MOVE ROUND	1							
15	1	1C7170-95990	LABEL,ENGINE STOP	1							

Fig.34. SAFETY LABEL

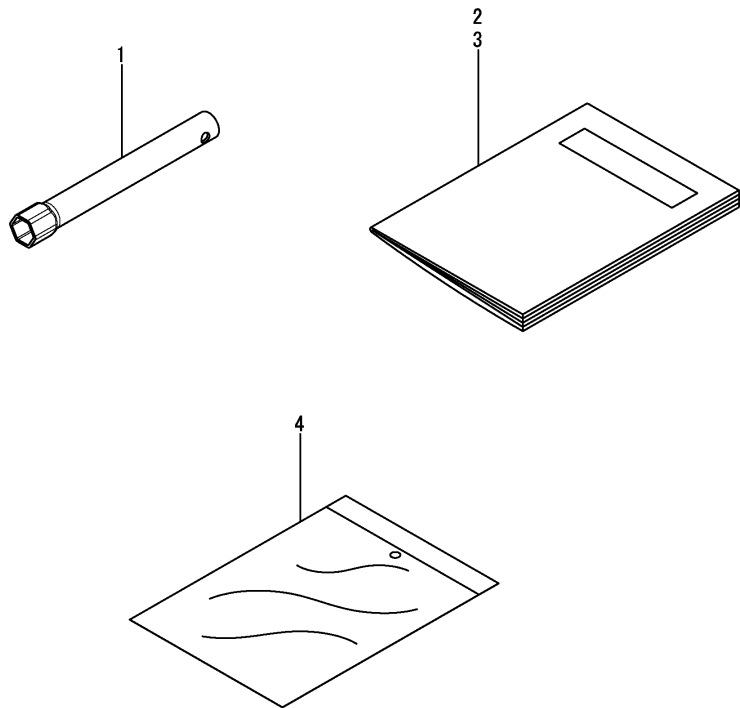


(A)=RK650,KPQ
(B)=
(C)=

(D)=
(E)=
(F)=

REF.	LEV.	PARTS NO.	DESCRIPTION	QTY						I	R	
				(A)	(B)	(C)	(D)	(E)	(F)			
1	1	1A2810-86610	LABEL CAUTION,ROTARY	1								
2	1	1A2810-86620	LABEL, WARN.EXH.GAS	1								
3	1	1A2810-86630	ENGINE, CAUTION STOP	1								
4	1	1A2810-86640	OPERATOR, CAUTION	1								
5	1	1A2810-86650	LABEL, CAUTION	1								
6	1	1A2810-86660	LABEL CAUTION,ROTARY	1								
7	1	1C7110-95701	LABEL,CAUTION	1								
8	1	1C7110-95871	LABEL,DANGER	1								

Fig.35. ACCESSORY



0CNP5-G51900 35. ACCESSORY

(A)=RK650,KPQ
(B)=
(C)=

(D)=
(E)=
(F)=

REF.	LEV.	PARTS NO.	DESCRIPTION	Q'TY						I	R
				(A)	(B)	(C)	(D)	(E)	(F)		
1	1	160110-92700	WRENCH	1							
2	1	1A2810-88010	MANUAL(K	1							
3	1	1A2810-88020	MANUAL,PL (K	1							
4	1	1A2740-88950	COVER, MANUAL A4	1							

Part Number Index

All parts are stipulated in the order of part numbers.

(Depending on the area in which the part is used.)

This index will display the location of the part according to each part number.

PARTS No. INDEX

PARTS No.	Fig.	Ref.No.
114252-13950	1	3
160110-92700	35	1
160593-77750	32	2
160610-55040	29	3
192040-56220	22	4
194405-83920	6	4
1A1040-77100	31	6
1A1104-56031	24	13
1A1105-23200	7	4
	10	1
1A1105-57151	24	14
1A1470-10040	3	1
1A1470-20090	5	1
1A1479-55280	26	2
1A1540-46020	13	3
1A1660-40380	21	2
1A1686-52230	22	3
	30	2
1A1735-23250	10	2
1A1750-20431	5	2
1A1750-90010	24	16
1A1750-90110	24	17
1A1750-90150	23	17
1A1750-90200	4	5
	5	9
	12	12
	18	3
	21	14
	24	18
	25	14
1A1860-20280	12	1
1A1951-55030	23	12
1A2000-55241	24	8
1A2000-62011-1	28	1
1A2001-21250	5	6
1A2010-13381	3	2
1A2120-13120	4	3
1A2132-55600	26	3
1A2132-55610	26	4
1A2173-27900	12	10
1A2220-25030	14	2
1A2220-55120	24	7
	25	4
1A2220-55580	23	14
	24	11
1A2220-55750	23	15
1A2220-90010	23	16
1A2222-51392	21	10
1A2222-51810	21	13
1A2222-52000	22	2

PARTS No.	Fig.	Ref.No.
1A2222-54250	23	2
1A2222-54301	23	3
1A2222-54350	23	4
1A2222-55670	26	7
1A2222-83170	32	6
1A2223-46000-1	31	1
1A2223-83200	32	7
1A2240-44200	19	4
1A2240-44250	19	5
1A2240-44300	19	6
1A2240-44310	19	7
1A2240-44401	19	9
1A2240-44500	20	2
1A2240-54400	23	7
1A2240-54410	23	8
1A2240-54420	23	9
1A2240-54430	23	10
1A2240-55210	26	6
1A2252-44500	20	3
1A2252-54350	23	5
1A2252-54360	23	6
1A2310-98450	31	7
1A2320-55900	32	1
1A2480-23021	6	3
1A2480-23380	10	3
1A2480-27121	12	5
1A2480-27700	12	9
1A2480-42100	14	3
1A2490-83202	32	8
1A2660-13100	4	2
1A2660-21000	5	3
1A2660-21010	5	4
1A2660-21300	5	7
1A2660-23100	7	2
1A2660-23200	8	1
1A2660-23230	8	2
1A2660-23300	9	1
1A2660-24000	11	1
1A2660-24030	11	2
1A2660-24200	11	3
1A2660-25100	10	4
1A2660-27000	12	2
1A2660-27050	12	3
1A2660-27100	12	4
1A2660-27200	12	7
1A2660-27600	12	8
1A2660-31501	13	2
1A2660-43160	5	8
1A2660-43170	17	1
1A2660-44040	18	2

PARTS No.	Fig.	Ref.No.
1A2660-44500	19	10
1A2660-51060	21	4
1A2660-51340	21	9
1A2660-55000	24	2
1A2660-55050	24	4
1A2660-55081	24	6
1A2660-55101	25	3
1A2660-55131	25	5
1A2660-55160	25	6
1A2660-55170	25	7
1A2660-55180	25	8
1A2660-55361	25	10
1A2660-55460	25	11
1A2660-55520	23	13
1A2660-55600	24	12
1A2660-55650	25	12
1A2660-56000	25	13
1A2660-62050	28	2
1A2680-51590	21	12
1A2720-64100	30	5
1A2720-64110	30	6
1A2740-11150	1	1
1A2740-63001	29	5
1A2740-88950	35	4
1A2770-11300	1	2
1A2770-55490	24	10
1A2770-86100	33	2
1A2800-86400	33	4
1A2810-12000	2	2
1A2810-12500	2	3
1A2810-13000	4	1
1A2810-13600	4	4
1A2810-21100	5	5
1A2810-23000	6	1
1A2810-23010	6	2
1A2810-23120	7	3
1A2810-25110	10	5
1A2810-27150	12	6
1A2810-42200	14	4
1A2810-43100	15	1
1A2810-43150	15	2
1A2810-44010	18	1
1A2810-44310	19	8
1A2810-44590	19	11
1A2810-44700	19	12
1A2810-51010	21	3
1A2810-51140	21	5
1A2810-51150	21	6
1A2810-51250	21	7
1A2810-51300	21	8

PARTS No.	Fig.	Ref.No.
1A2810-51450	21	11
1A2810-51500	22	1
1A2810-54100	23	1
1A2810-55040	24	3
1A2810-55070	24	5
1A2810-55300	25	9
1A2810-55400	24	9
1A2810-55650	26	5
1A2810-55680	26	8
1A2810-55750	26	9
1A2810-55850	26	10
1A2810-55870	26	11
1A2810-61000	27	1
1A2810-62100	28	3
1A2810-64010	30	4
1A2810-72000	31	3
1A2810-72100	31	4
1A2810-72200	31	5
1A2810-83000	32	3
1A2810-83010	32	4
1A2810-83050	32	5
1A2810-86100	33	3
1A2810-86510	33	5
1A2810-86520	33	6
1A2810-86530	33	7
1A2810-86550	33	8
1A2810-86560	33	9
1A2810-86570	33	10
1A2810-86590	33	11
1A2810-86600	33	12
1A2810-86610	34	1
1A2810-86620	34	2
1A2810-86630	34	3
1A2810-86640	34	4
1A2810-86650	34	5
1A2810-86660	34	6
1A2810-86670	33	13
1A2810-86710	33	14
1A2810-88010	35	2
1A2810-88020	35	3
1C6054-62030	29	4
1C6281-52310	15	3
	24	1
	25	2
	26	1
1C7080-16180	7	1
1C7110-95701	34	7
1C7110-95871	34	8
1C7170-95990	33	15
1D1140-11420	2	1

MODEL : RK650,KPQ
PC NO : 0CNP5-G51900

PARTS No. INDEX

PARTS No.	Fig.	Ref.No.
1D2430-81170	24	15
1E6102-84970	32	9
1E6150-56040	12	11
1E8330-33650	33	1
1S0010-63200	16	1
1S0010-63210	16	2
1S0010-63250	16	3
1S0010-63260	16	4
1S0205-70100	31	2
1S0311-40610	19	1
1S0320-20250	14	1
1W0224-09802	25	1
1W0224-09804	21	1
1W1303-40010	29	2
1W2984-10050	29	1
1W3981-10440	30	1
1W6385-10890	20	1
1W6385-50050	19	13
7A2660-31001	13	1
7A2810-44450	19	2
7A2810-44460	19	3
7A2810-54050	23	11
7A2810-64050	30	3

PARTS No.	Fig.	Ref.No.
-----------	------	---------

PARTS No.	Fig.	Ref.No.
-----------	------	---------

PARTS No.	Fig.	Ref.No.
-----------	------	---------



YANMAR CO.,LTD.